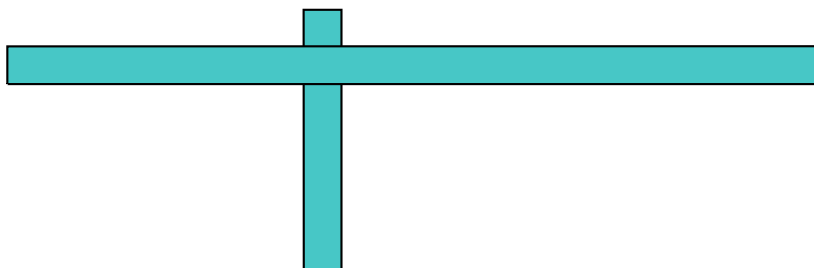




1 65133  
c:15.2



1 65133  
c:15.2

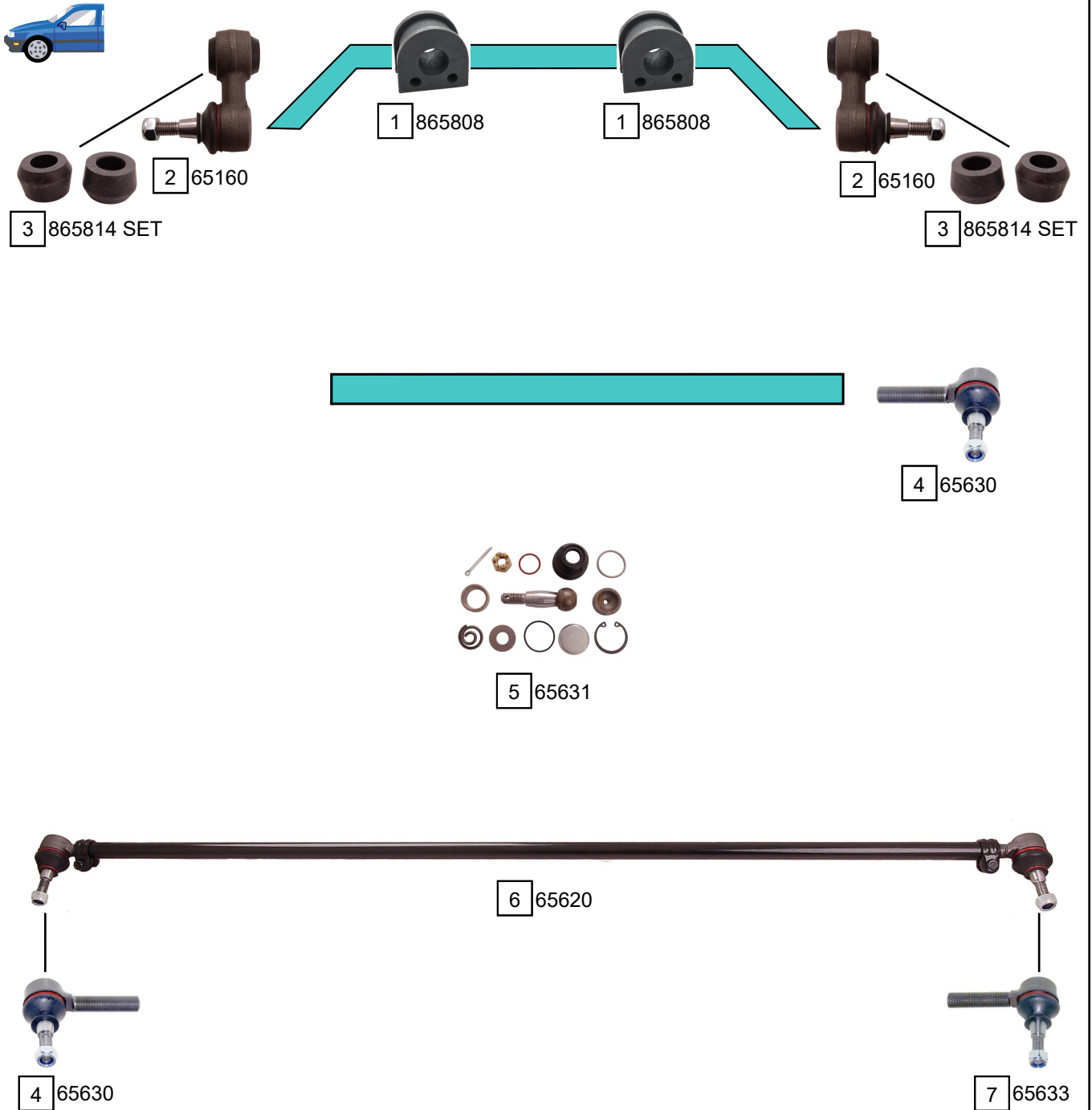


1 65133  
c:15.2

Ref.	Sidem Ref.	Description	OE-number	Measures	Ref.	Sidem Ref.	Description	OE-number	Measures
1	65133	tie rod end left	GSJ 153	c:15 th:11/16"x16UNFL					

90 - 110 (DHMC)  
127 (130) (DHMC)

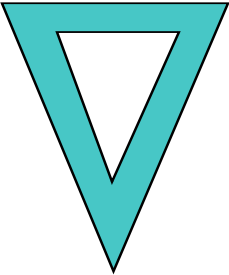
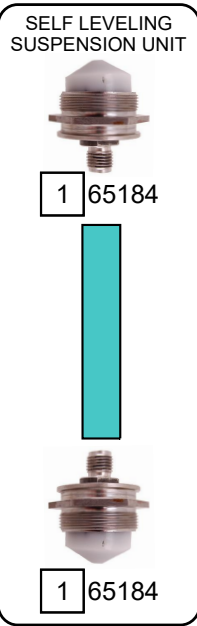
03/1984 - 07/1990



Ref.	Sidem Ref.	Description	OE-number	Measures	Ref.	Sidem Ref.	Description	OE-number	Measures
1	865808	stabiliser mounting	NTC 6828	di:22.5	5	65631	ball joint kit	RBG 000010	
2	65160	stabiliser link	NTC 1888	L:63	6	65620	track rod	NRC 9743	L:1250
3	865814 SET	stabiliser mounting set	552819	di:19	7	65633	tie rod end	NRC 4745	c:15 th:11/16"x16UNFL
4	65630	tie rod end	NRC 6007	c:15 th:11/16"x16UNFR					

90 - 110 (DHMC)  
127 (130) (DHMC)

03/1984 - 07/1990



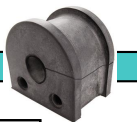
3 65680



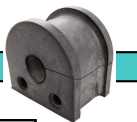
4 R10119



5 65160



6 865903



6 865903



5 65160



7 865814 SET

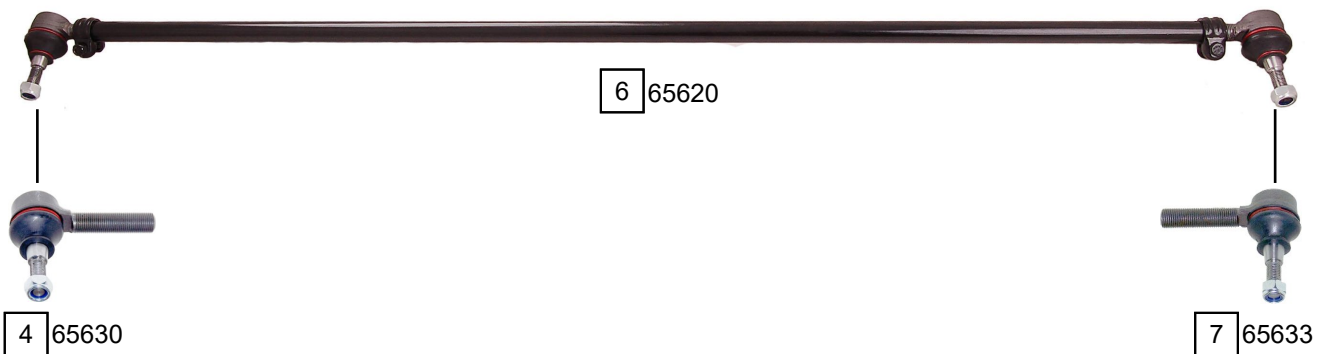
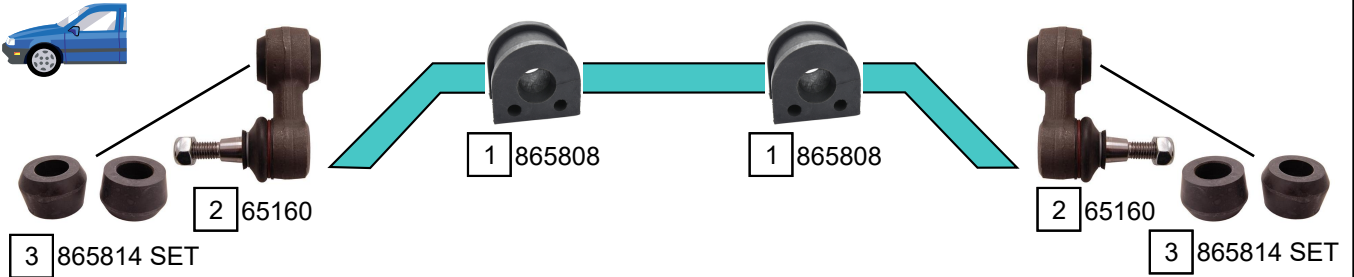


7 865814 SET

Ref.	Sidem Ref.	Description	OE-number	Measures	Ref.	Sidem Ref.	Description	OE-number	Measures
1	65184	ball joint kit	575 882		5	65160	stabiliser link	NTC 1888	L:63
2	865717	silentblock for TCA	NTC 1773	di:19 do:41.6 (*)	6	865903	stabiliser mounting	NTC 7394	di:17
3	65680	ball joint	ANR 1799	c:23.2	7	865814 SET	stabiliser mounting set	552819	di:19
4	R10119	mounting tool ring long ø68	SEE PAGE III	di:60 do:68					

DEFENDER 90 - 110 - 130 (LD)

09/1990 - 01/2016



Ref.	Sidem Ref.	Description	OE-number	Measures	Ref.	Sidem Ref.	Description	OE-number	Measures
1	865808	stabiliser mounting	NTC 6828	di:22.5	5	65631	ball joint kit	RBG 000010	
2	65160	stabiliser link	NTC 1888	L:63	6	65620	track rod	NRC 9743	L:1250
3	865814 SET	stabiliser mounting set	552819	di:19	7	65633	tie rod end	NRC 4745	c:15 th:11/16"x16UNFL
4	65630	tie rod end	NRC 6007	c:15 th:11/16"x16UNFR					



# LAND ROVER DEFENDER

DEFENDER 90 - 110 - 130 (LD)

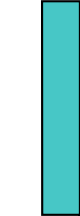
09/1990 - 01/2016



SELF LEVELING  
SUSPENSION UNIT



1 65184



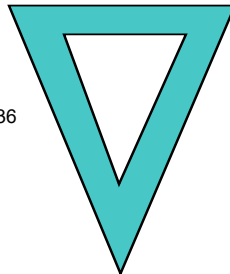
1 65184



2 865717  
-> CHAS 9A768936



2 865717  
-> CHAS 9A768936



3 65680



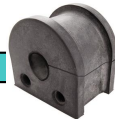
4 R10119



5 65160



9 865814 SET



6 865903  
90 -> CHAS WA159806

7 865908  
90 CHAS XA159807 ->

8 865909  
110-130



6 865903  
90 -> CHAS WA159806

7 865908  
90 CHAS XA159807 ->

8 865909  
110-130



5 65160

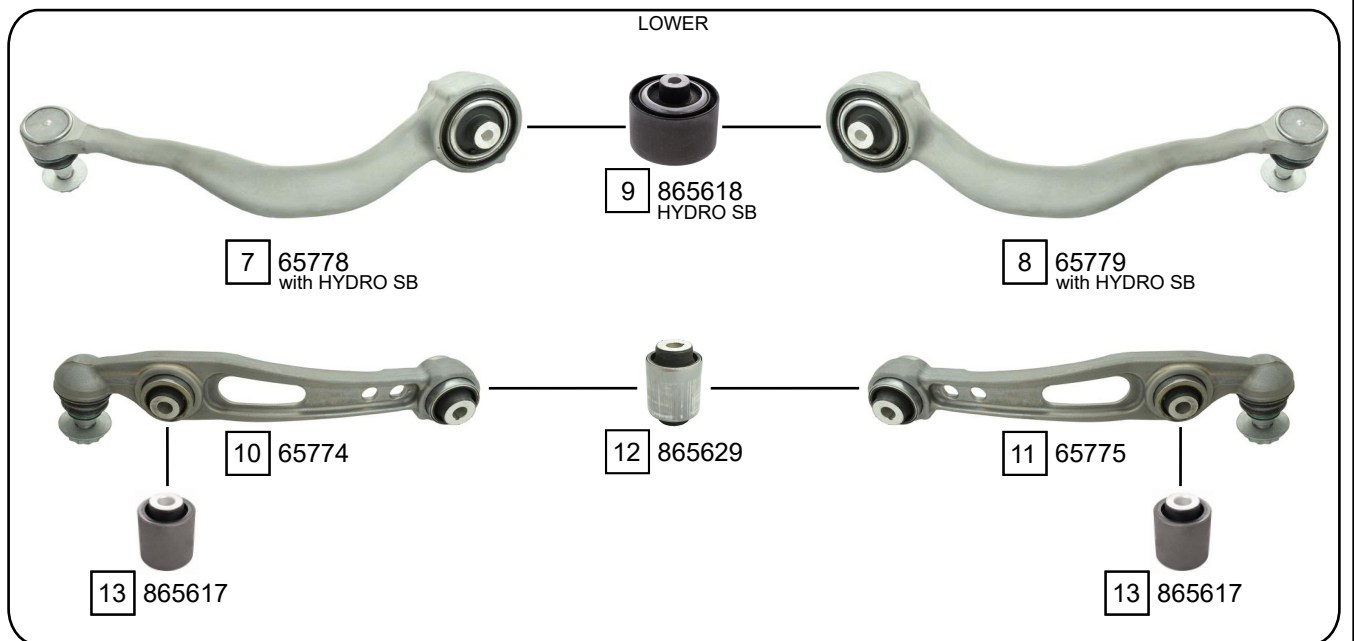
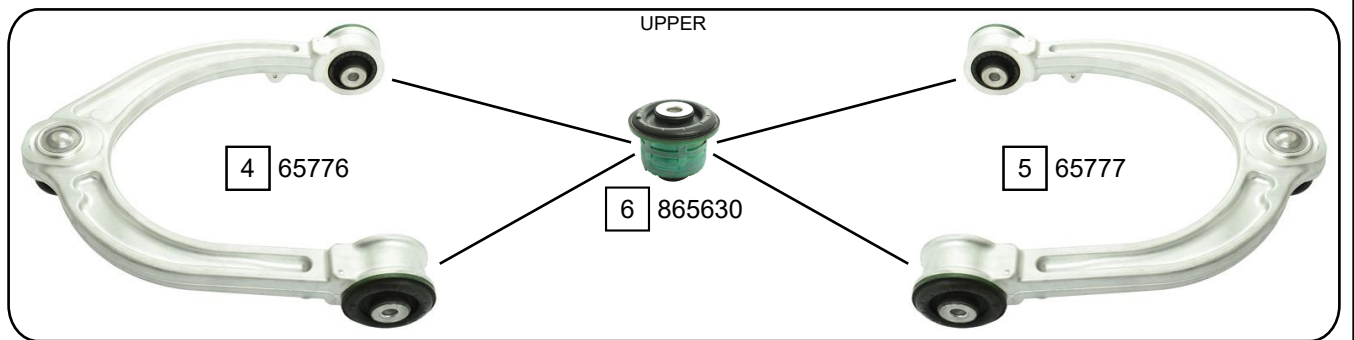
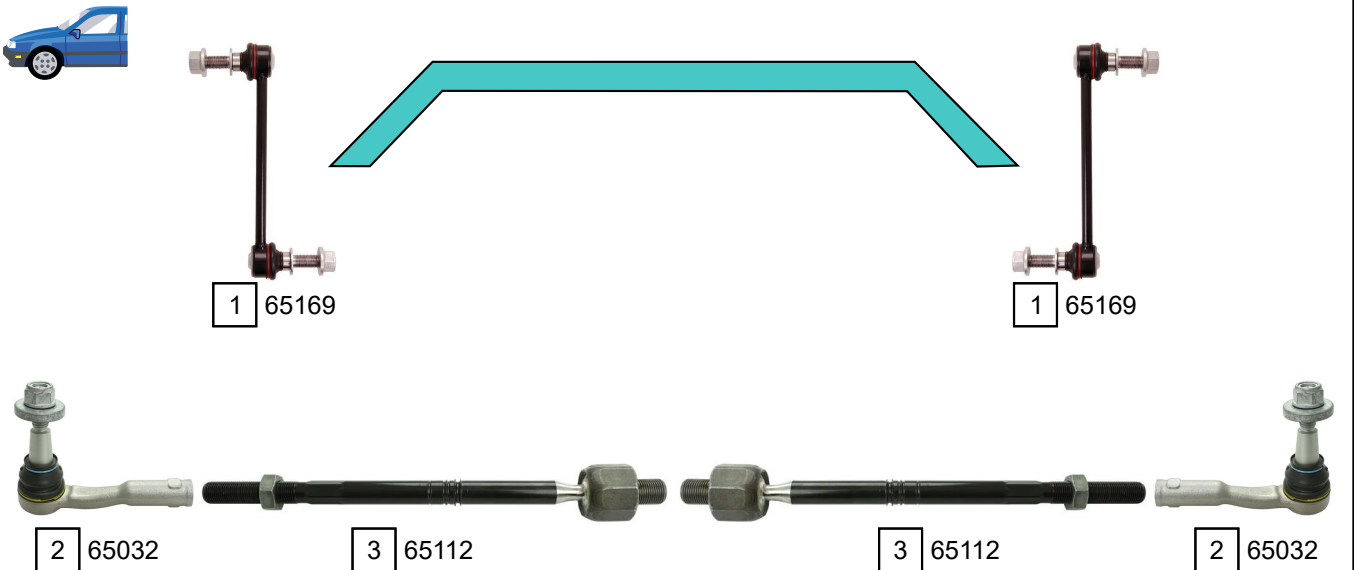


9 865814 SET

Ref.	Sidem Ref.	Description	OE-number	Measures	Ref.	Sidem Ref.	Description	OE-number	Measures
1	65184	ball joint kit	575 882		6	865903	stabiliser mounting	NTC 7394	di:17
2	865717	silentblock for TCA	NTC 1773	di:19 do:41.6 (*)	7	865908	stabiliser mounting	EGP1889	di:18
3	65680	ball joint	ANR 1799	c:23.2	8	865909	stabiliser mounting	NRC5674	di:18.5
4	R10119	mounting tool ring long ø68	SEE PAGE III	di:60 do:68	9	865814 SET	stabiliser mounting set	552819	di:19
5	65160	stabiliser link	NTC 1888	L:63					

DEFENDER (L663)

09/2019 ->

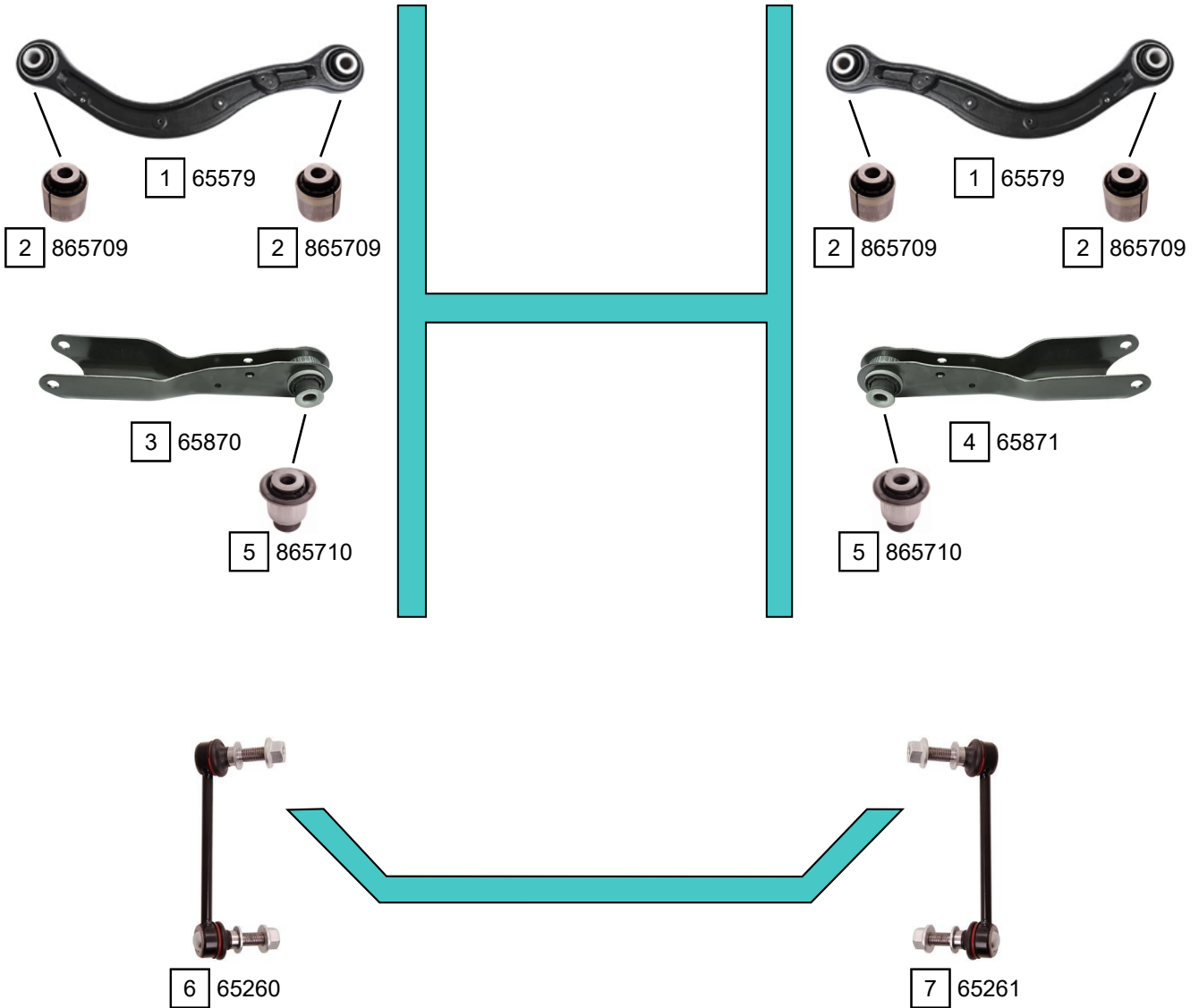


Ref.	Sidem Ref.	Description	OE-number	Measures	Ref.	Sidem Ref.	Description	OE-number	Measures
1	65169	stabiliser link	LR0 35489	L:210	8	65779	TCA right wbj	LR1 44505	c:21.4
2	65032	tie rod end	LR1 29166	c:16.6 th:FM16X1.5	9	865618	silentblock for TCA	LR1 00072	di:14.3 (*)
3	65112	axial joint	Part of	th:MM18X1.5R L:299	10	65774	TCA left wbj	LR1 23627	c:23.4
4	65776	TCA left wbj	LR1 30403	c:19.2	11	65775	TCA right wbj	LR1 23628	c:23.4
5	65777	TCA right wbj	LR1 30399	c:19.2	12	865629	silentblock for TCA	Part of	di:14.3 do:51
6	865630	silentblock for TCA	Part of	di:10.2 do:48.2	13	865617	silentblock for TCA	Part of	di:14 do:49.8 (*)
7	65778	TCA left wbj	LR1 44506	c:21.4					

# LAND ROVER DEFENDER

DEFENDER (L663)

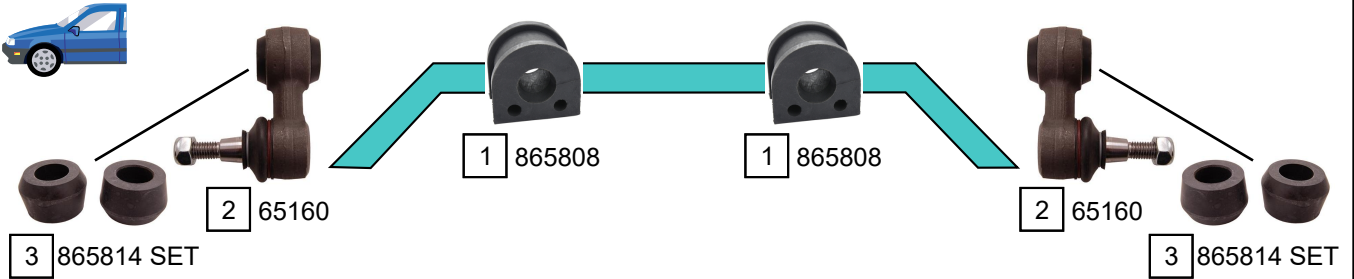
09/2019 ->



Ref.	Sidem Ref.	Description	OE-number	Measures	Ref.	Sidem Ref.	Description	OE-number	Measures
1	65579	track rod	LR1 39391	L:385	5	865710	silentblock for TCA	Part of	di:16.1 do:46.8 (*)
2	865709	silentblock for TCA	Part of	di:14.3 do:47.5 (*)	6	65260	stabiliser link left	LR0 48093	L:184
3	65870	TCA left	LR1 28794	L:310	7	65261	stabiliser link right	LR0 48092	L:184
4	65871	TCA right	LR1 28794	L:310					

DISCOVERY I (LJ, LG)

10/1989 - 10/1998



-> CHAS JA018174



5 65631

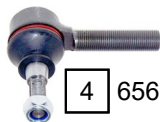
CHAS JA018175 ->



6 65633



4 65630



4 65630



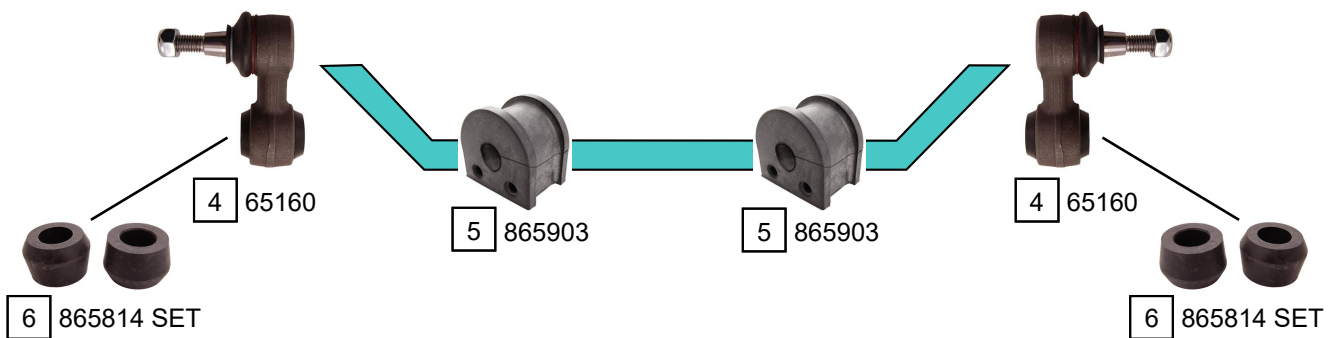
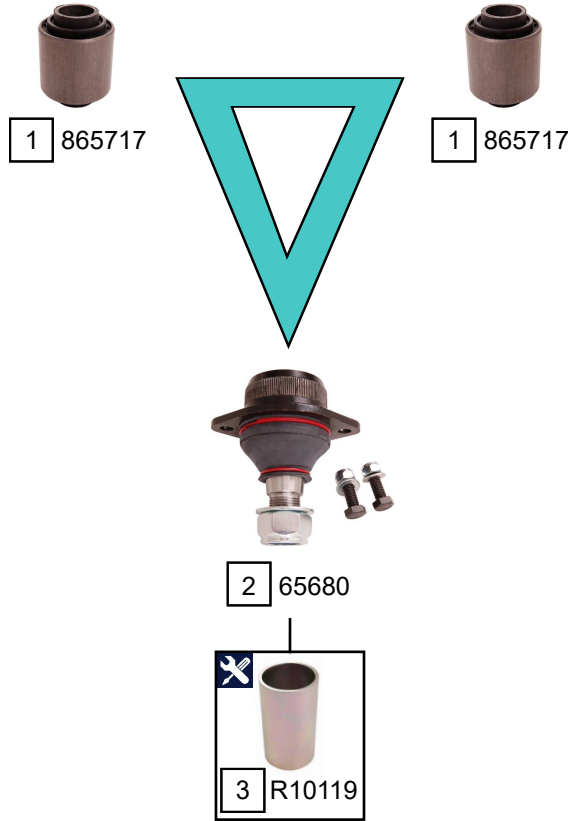
4 65630

Ref.	Sidem Ref.	Description	OE-number	Measures	Ref.	Sidem Ref.	Description	OE-number	Measures
1	865808	stabiliser mounting	NTC 6828	di:22.5	4	65630	tie rod end	NRC 6007	c:15 th:11/16"x16UNFF
2	65160	stabiliser link	NTC 1888	L:63	5	65631	ball joint kit	RBG 000010	
3	865814 SET	stabiliser mounting set	552819	di:19	6	65633	tie rod end	NRC 4745	c:15 th:11/16"x16UNFL

# LAND ROVER DISCOVERY

DISCOVERY I (LJ, LG)

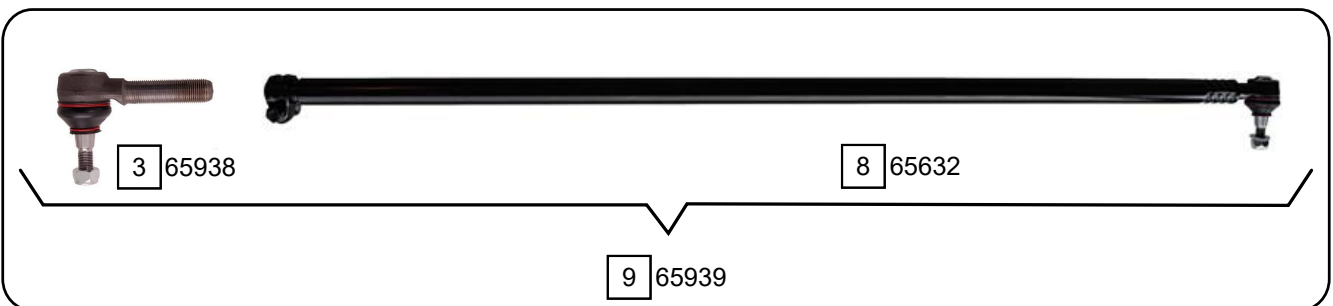
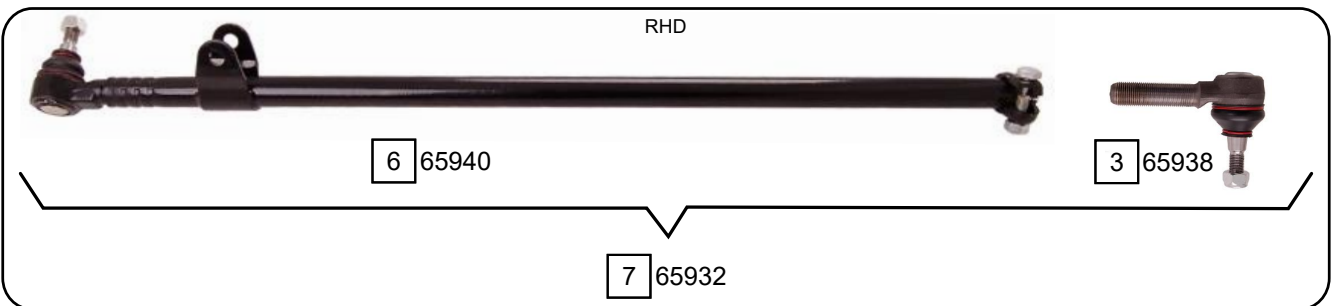
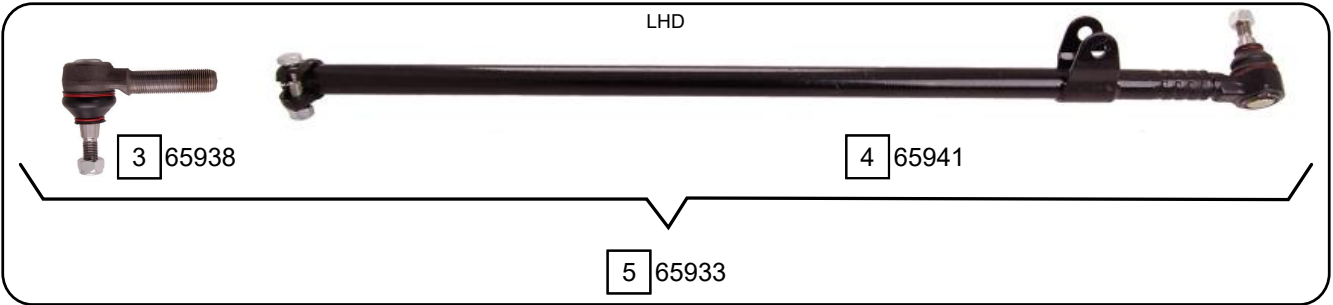
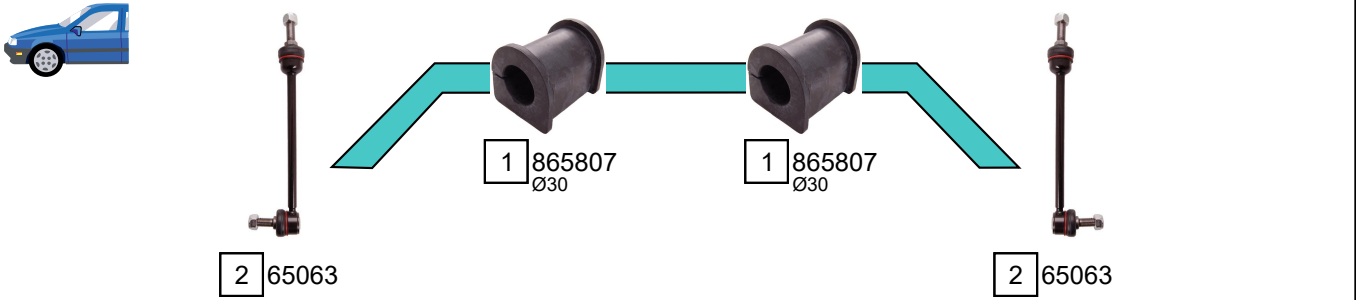
10/1989 - 10/1998



Ref.	Sidem Ref.	Description	OE-number	Measures	Ref.	Sidem Ref.	Description	OE-number	Measures
1	865717	silentblock for TCA	NTC 1773	di:19 do:41.6 (*)	4	65160	stabiliser link	NTC 1888	L:63
2	65680	ball joint	ANR 1799	c:23.2	5	865903	stabiliser mounting	NTC 7394	di:17
3	R10119	mounting tool ring long ø68	SEE PAGE III	di:60 do:68	6	865814 SET	stabiliser mounting set	552819	di:19

DISCOVERY II (LJ,LT)

10/1998 - 09/2004



Ref.	Sidem Ref.	Description	OE-number	Measures	Ref.	Sidem Ref.	Description	OE-number	Measures
1	865807	stabiliser mounting	RBX 101690	di:30	6	65940	tie rod end	QEK 000020	c:14 th:FM22X1.5R
2	65063	stabiliser link	RBM 100223	L:244	7	65932	tie rod	QHG 000040	c:14 L:920
3	65938	tie rod end	QFS 000010	c:14 th:MM18X1.5L	8	65632	tie rod end	QFS 000040	c:14 th:FM22X1.5R
4	65941	tie rod end	QEK 000030	c:14 th:FM22X1.5R	9	65939	track rod	TIQ 000010	L:1320
5	65933	tie rod	QHG 000050	c:14 L:920					

# LAND ROVER DISCOVERY

DISCOVERY II (LJ,LT)

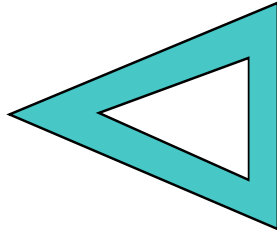
10/1998 - 09/2004



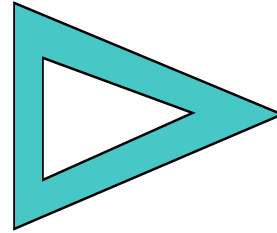
1 65081



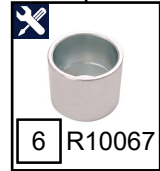
6 R10067



UPPER



1 65081



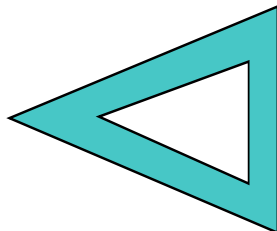
6 R10067



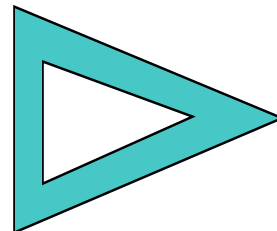
2 65682



7 R10116



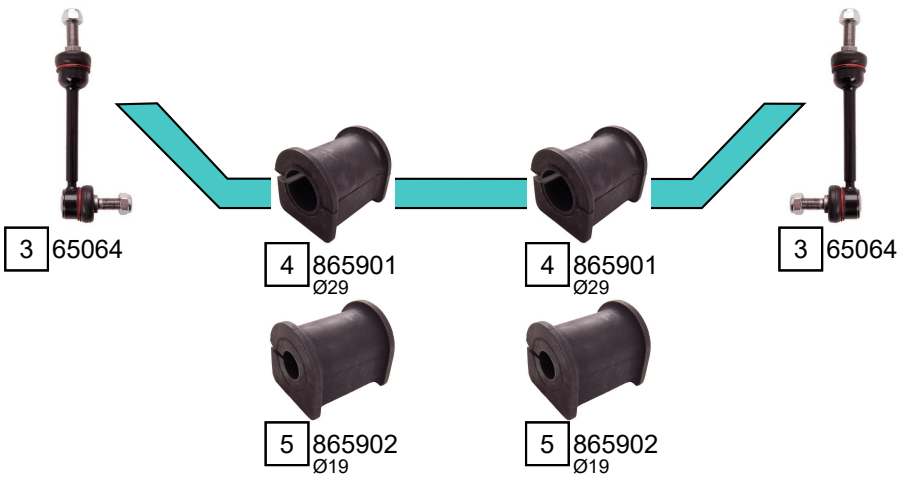
LOWER



2 65682



7 R10116



3 65064

4 865901  
Ø29

4 865901  
Ø29

3 65064

5 865902  
Ø19

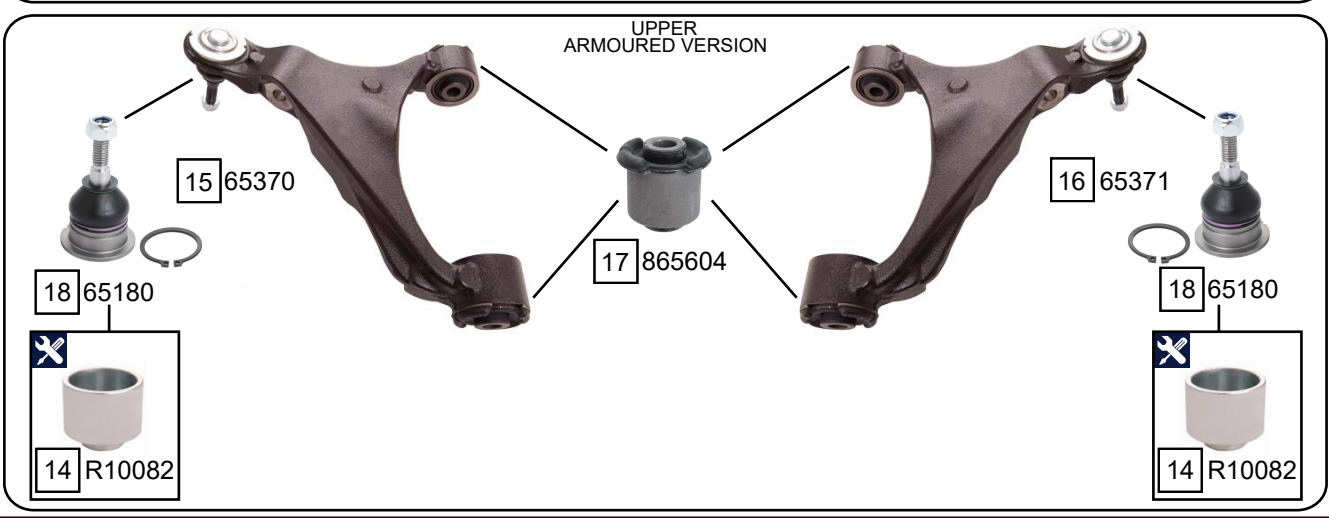
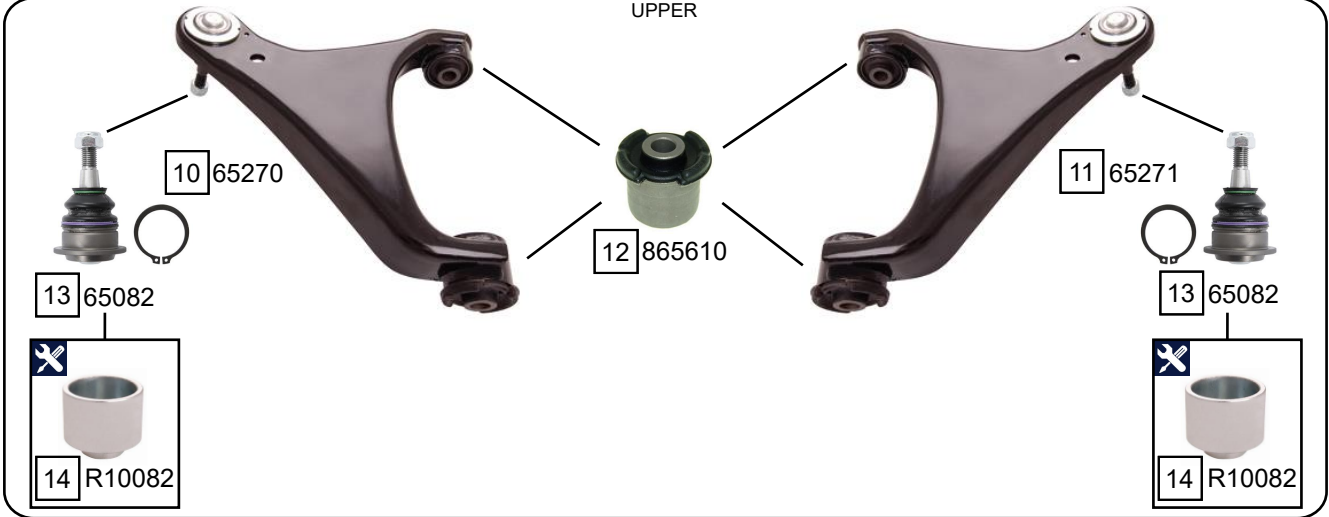
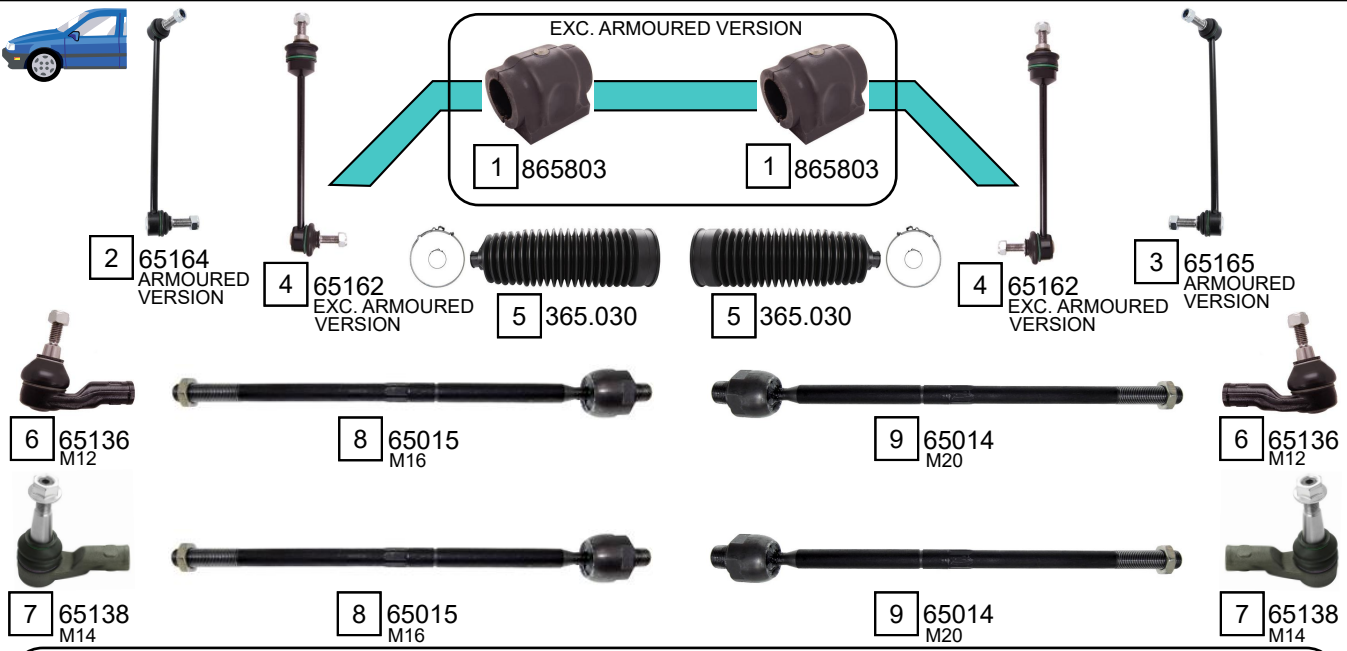
5 865902  
Ø19

Ref.	Sidem Ref.	Description	OE-number	Measures	Ref.	Sidem Ref.	Description	OE-number	Measures
1	65081	ball joint	FTC 3570	c:16 do:45.6	5	865902	stabiliser mounting	RBX 101710	di:19
2	65682	ball joint	FTC 3571	c:18.9 do:44.5	6	R10067	mounting tool ring ø56 ø48	SEE PAGE III	di:48 do:56
3	65064	stabiliser link rear axle	RGD 100682	L:159	7	R10116	mounting tool ring long ø62	SEE PAGE III	di:54 do:62
4	865901	stabiliser mounting	RBX 101700	di:29					



DISCOVERY III (TAA)

07/2004 - 09/2009

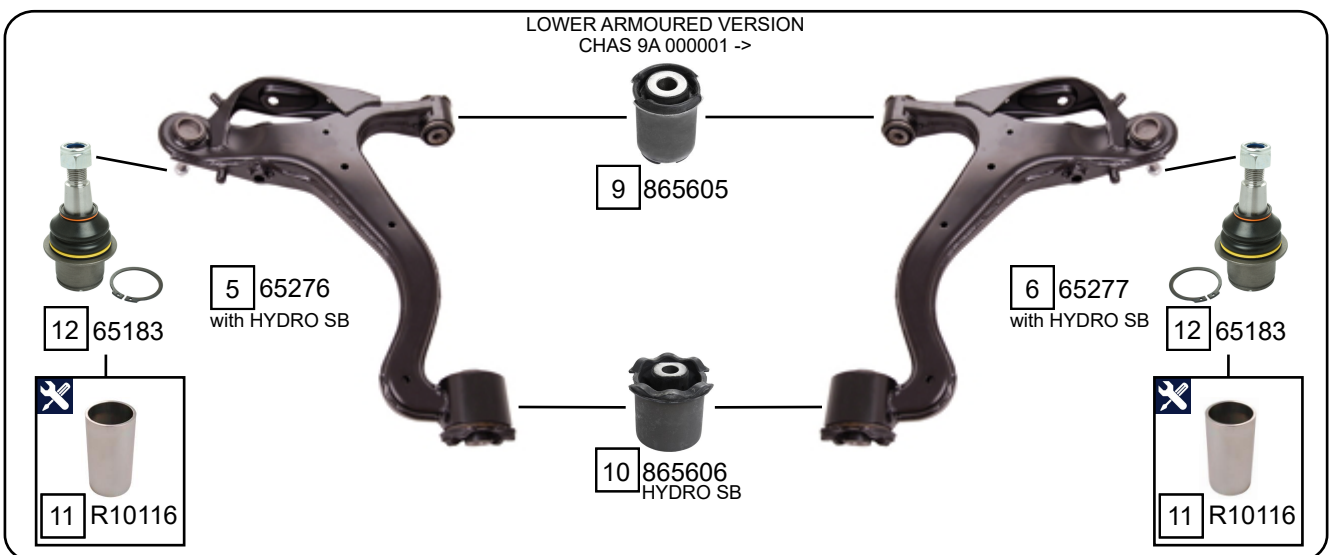
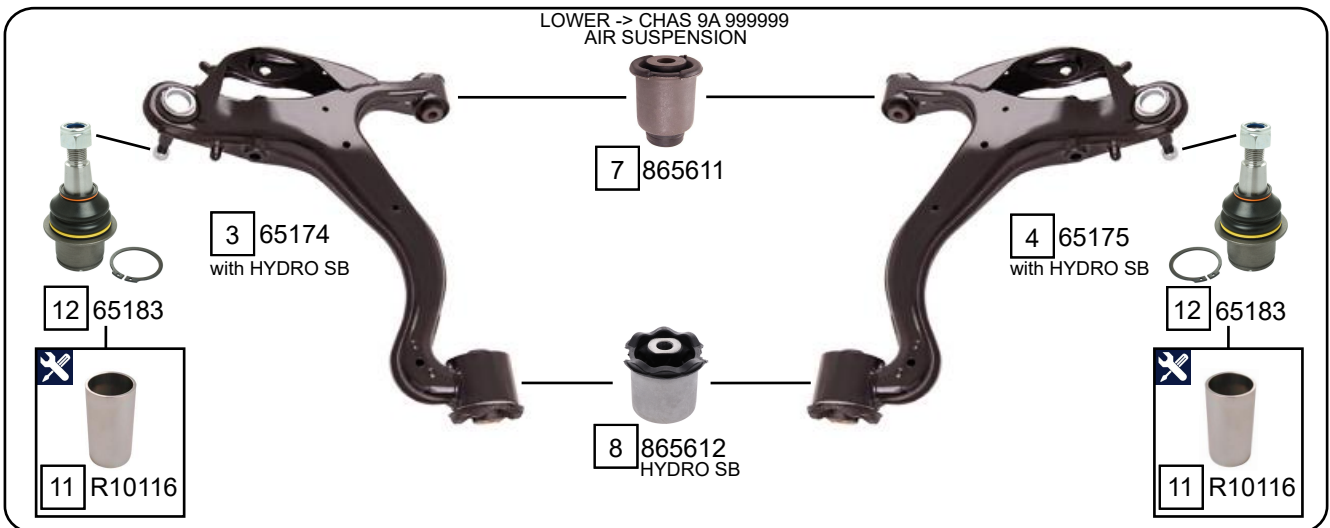
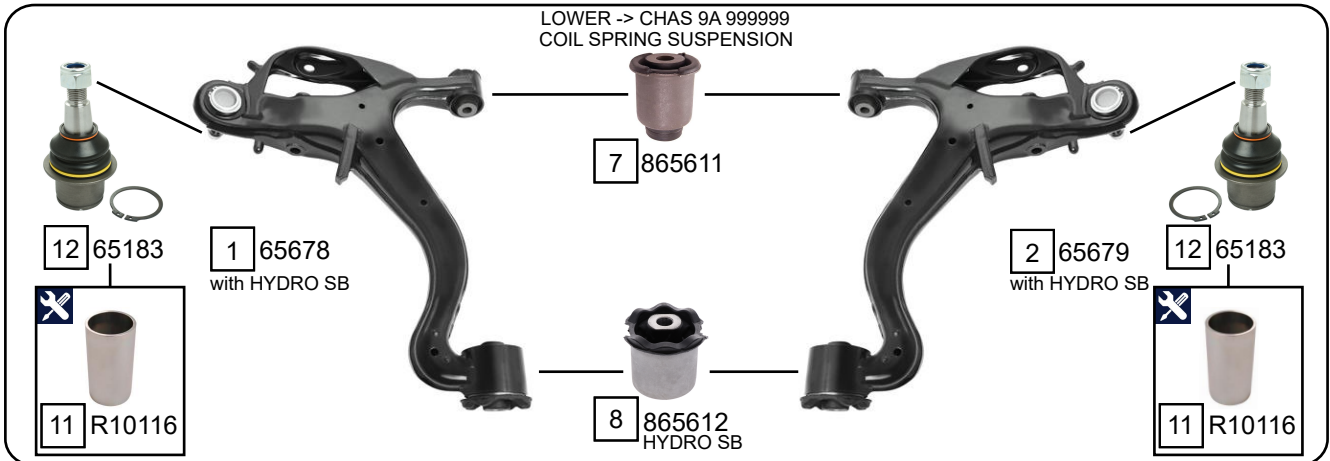


Ref.	Sidem Ref.	Description	OE-number	Measures	Ref.	Sidem Ref.	Description	OE-number	Measures
1	865803	stabiliser mounting	LR0 15339	di:27	10	65270	TCA left wbj	RBJ 500232	c:13.6
2	65164	stabiliser link left	RBM 500150	L:345	11	65271	TCA right wbj	RBJ 500222	c:13.6
3	65165	stabiliser link right	RBM 500140	L:345	12	865610	silentblock for TCA	RBX 500301	di:14.1 do:44.2 (*)
4	65162	stabiliser link	RBM 500190	L:278	13	65082	ball joint	RBK 500030	c:13.6 do:42.3
5	365.030	steering rack gaiter	QFW 500010	D:67 d:15 L:238	14	R10082	mounting tool ring ø52 ø44	SEE PAGE III	di:44 do:52
6	65136	tie rod end	QJB 500010	c:16.6 th:FM16X1.5R	15	65370	TCA left wbj	LR0 74838	c:13.8
7	65138	tie rod end	LR0 10672	c:16.1 th:FM16X1.5R	16	65371	TCA right wbj	LR0 51617	c:13.8
8	65015	axial joint	QFK 500010	th:MM16X1.5R L:374	17	865604	silentblock for TCA	RBX 500443	di:14.3 do:44.3 (*)
9	65014	axial joint	QFK 500020	th:MM20X1.5R L:374	18	65180	ball joint	RBK 500170	c:13.6 do:42.3



DISCOVERY III (TAA)

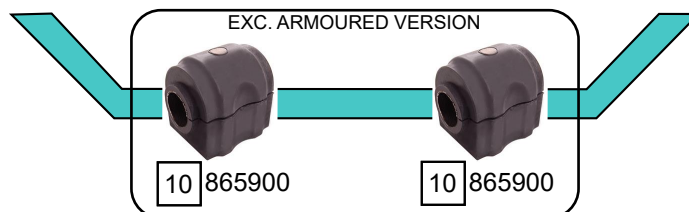
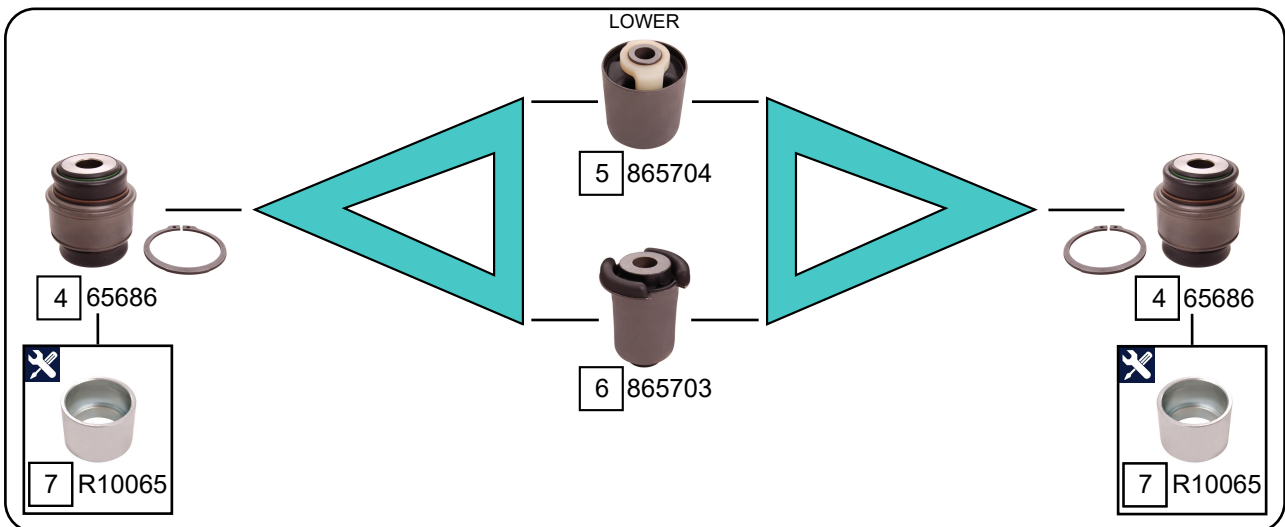
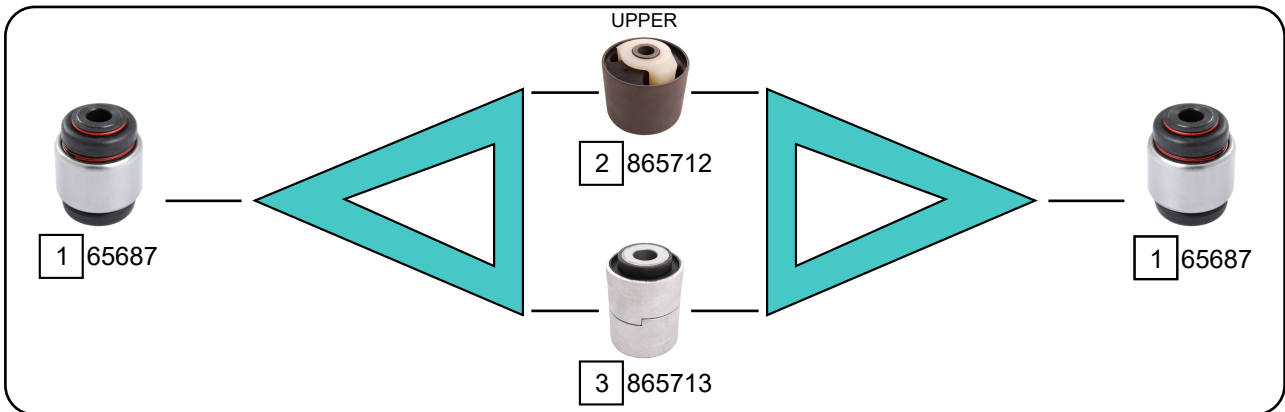
07/2004 - 09/2009



Ref.	Sidem Ref.	Description	OE-number	Measures	Ref.	Sidem Ref.	Description	OE-number	Measures
1	65678	TCA left wbj	LR0 28250	c:20.5	7	865611	silentblock for TCA	RBX 500311	di:16.2 do:52.2 (*)
2	65679	TCA right wbj	LR0 28246	c:20.5	8	865612	silentblock for TCA	LR0 51586	di:16.2 do:71 (*)
3	65174	TCA left wbj	LR0 28249	c:20.5	9	865605	silentblock for TCA	RBX 500432	di:16.2 do:53.2 (*)
4	65175	TCA right wbj	LR0 28245	c:20.5	10	865606	silentblock for TCA	LR0 55291	di:16.2 do:71 (*)
5	65276	TCA left wbj	LR0 29305	c:20.5	11	R10116	mounting tool ring long ø62	SEE PAGE III	di:54 do:62
6	65277	TCA right wbj	LR0 29303	c:20.5	12	65183	ball joint	RBK 500300	c:20.5 do:45.1

DISCOVERY III (TAA)

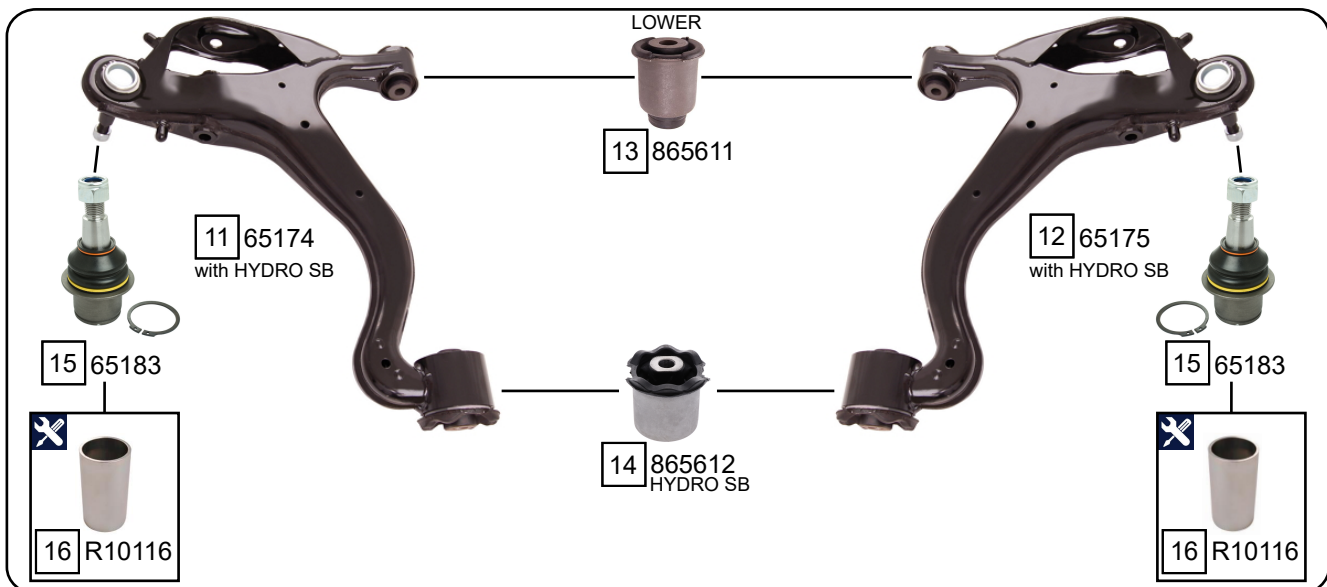
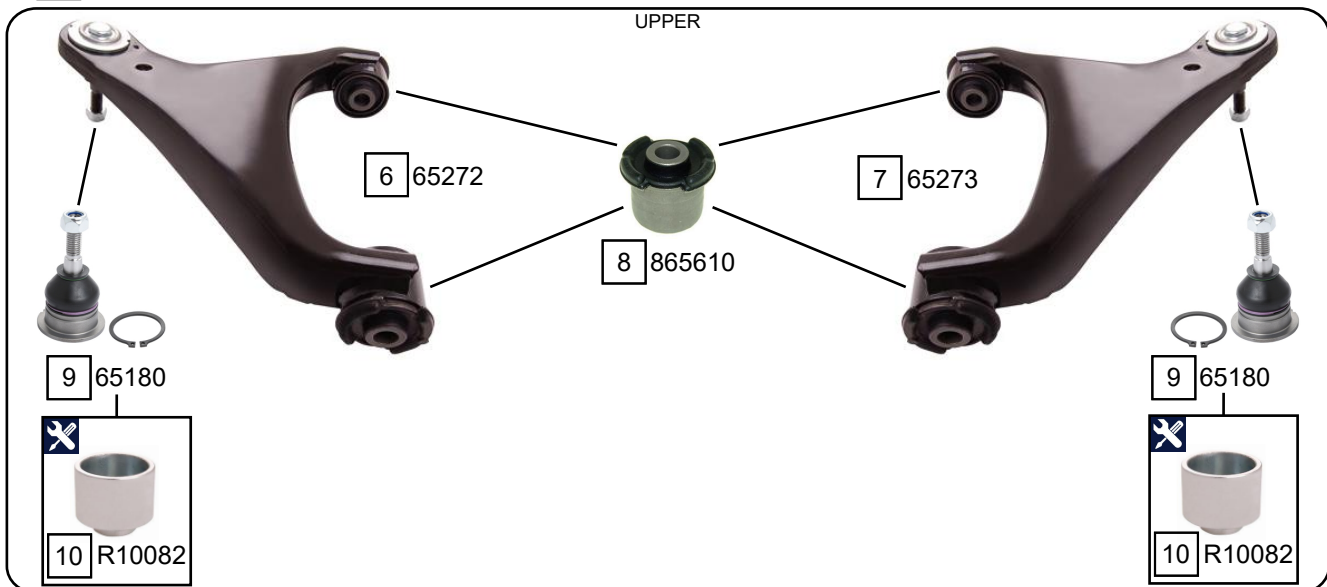
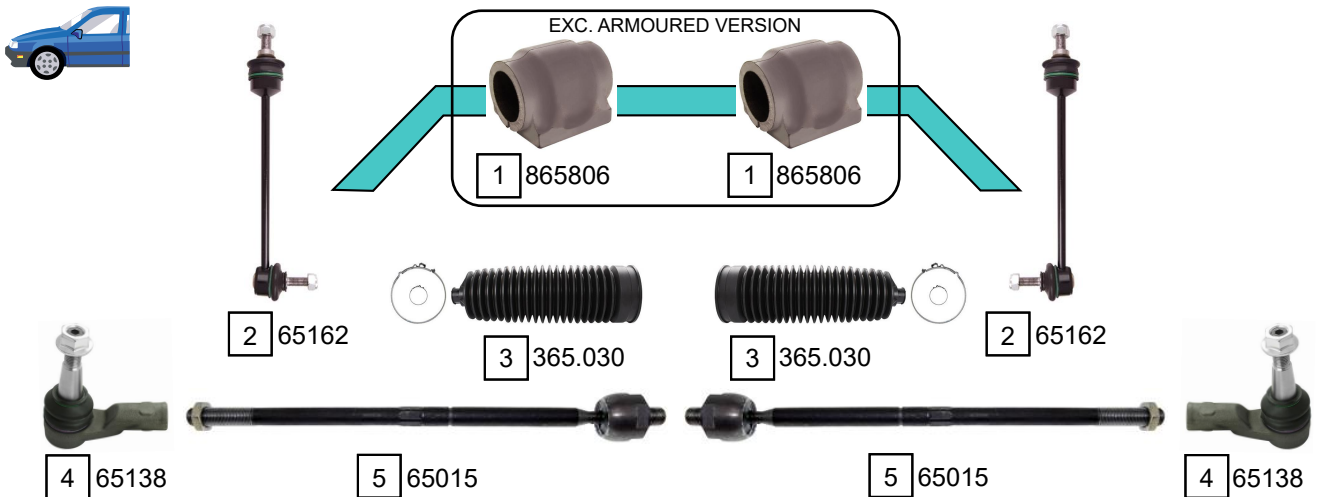
07/2004 - 09/2009



Ref.	Sidem Ref.	Description	OE-number	Measures	Ref.	Sidem Ref.	Description	OE-number	Measures
1	65687	ball joint rear	RHF 500031	di:13.1 do:47.2	6	865703	silentblock for TCA	LR0 54831	di:16.3 do:46.5 (*)
2	865712	silentblock for TCA	LR0 51621	di:14.2 do:76.1 (*)	7	R10065	mounting tool ring ø60 ø52	SEE PAGE III	di:52 do:60
3	865713	silentblock for TCA	LR0 51616	di:16.2 do:53.3 (*)	8	65020	tie rod	RGD 500083	L:600
4	65686	ball joint rear	RBK 500220	di:16.2 do:54	9	65161	stabiliser link rear axle	RGD 000312	L:116
5	865704	silentblock for TCA	LR0 51611	di:16.2 do:69.5 (*)	10	865900	stabiliser mounting	LR0 15336	di:21

DISCOVERY IV (LA)

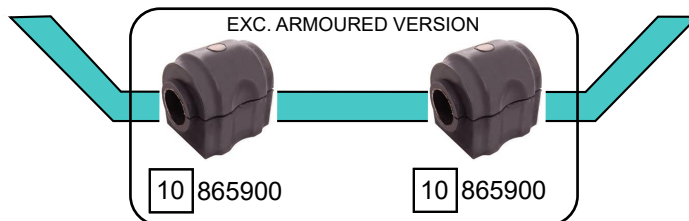
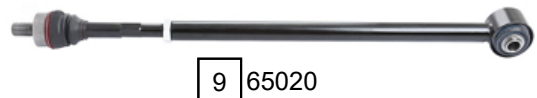
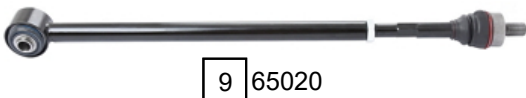
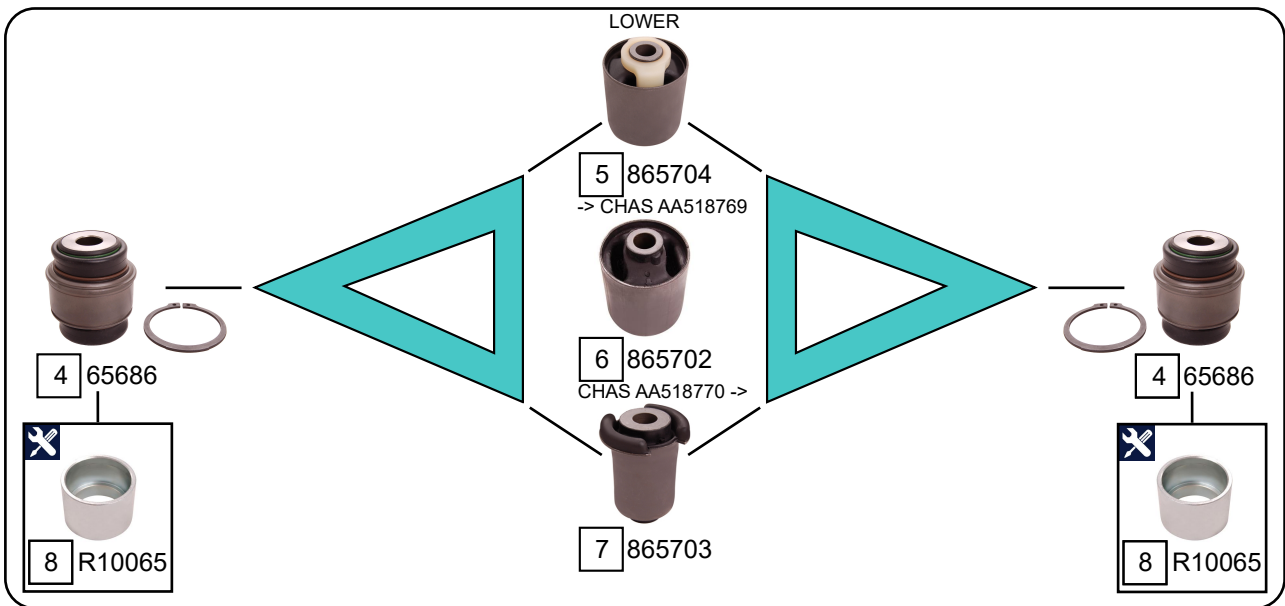
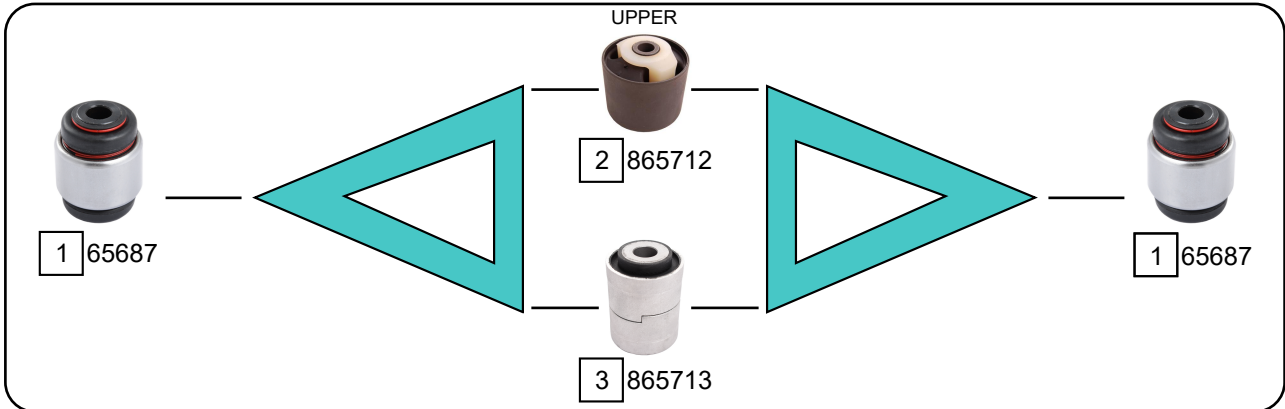
09/2009 ->



Ref.	Sidem Ref.	Description	OE-number	Measures	Ref.	Sidem Ref.	Description	OE-number	Measures
1	865806	stabiliser mounting	LR0 18346	di:28.5	9	65180	ball joint	RBK 500170	c:13.6 do:42.3
2	65162	stabiliser link	RBM 500190	L:278	10	R10082	mounting tool ring ø52 ø44	SEE PAGE III	di:44 do:52
3	365.030	steering rack gaiter	QFW 500010	D:67 d:15 L:238	11	65174	TCA left wbj	LR0 28249	c:20.5
4	65138	tie rod end	LR0 10672	c:16.1 th:FM16X1.5R	12	65175	TCA right wbj	LR0 28245	c:20.5
5	65015	axial joint	QFK 500010	th:MM16X1.5R L:374	13	865611	silentblock for TCA	RBX 500311	di:16.2 do:52.2 (*)
6	65272	TCA left wbj	LR0 14133	c:13.8	14	865612	silentblock for TCA	LR0 51586	di:16.2 do:71 (*)
7	65273	TCA right wbj	LR0 14132	c:13.8	15	65183	ball joint	RBK 500300	c:20.5 do:45.1
8	865610	silentblock for TCA	RBX 500301	di:14.1 do:44.2 (*)	16	R10116	mounting tool ring long ø62	SEE PAGE III	di:54 do:62

DISCOVERY IV (LA)

09/2009 ->

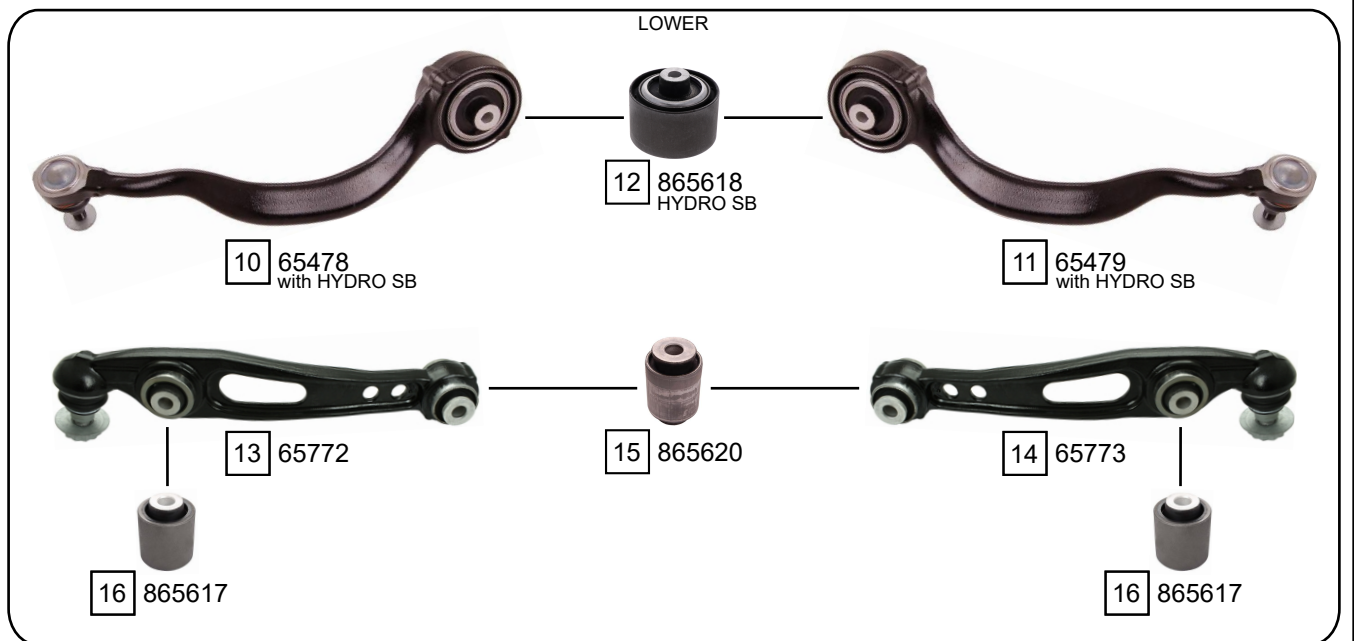
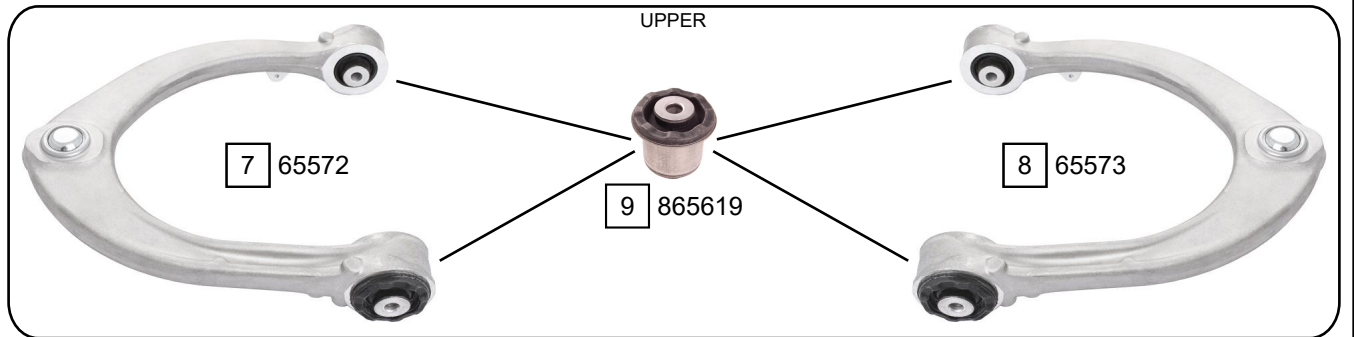
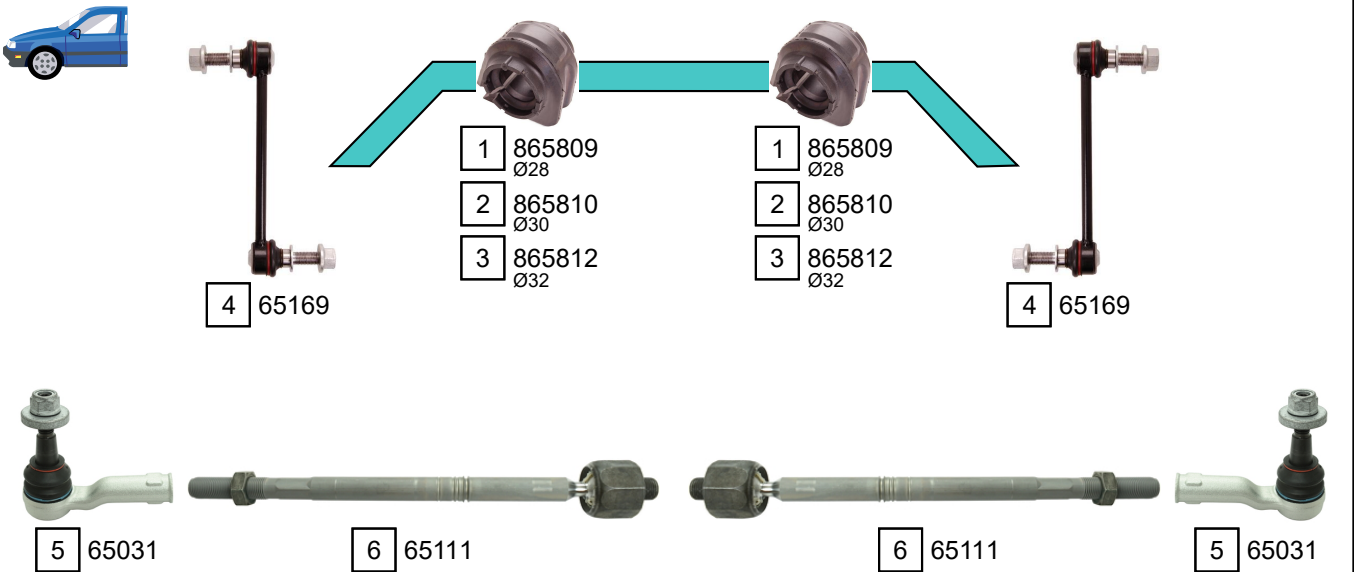


Ref.	Sidem Ref.	Description	OE-number	Measures	Ref.	Sidem Ref.	Description	OE-number	Measures
1	65687	ball joint rear	RHF 500031	di:13.1 do:47.2	7	865703	silentblock for TCA	LR0 54831	di:16.3 do:46.5 (*)
2	865712	silentblock for TCA	LR0 51621	di:14.2 do:76.1 (*)	8	R10065	mounting tool ring ø60 ø52	SEE PAGE III	di:52 do:60
3	865713	silentblock for TCA	LR0 51616	di:16.2 do:53.3 (*)	9	65020	tie rod	RGD 500083	L:600
4	65686	ball joint rear	RBK 500220	di:16.2 do:54	10	865900	stabiliser mounting	LR0 15336	di:21
5	865704	silentblock for TCA	LR0 51611	di:16.2 do:69.5 (*)	11	65161	stabiliser link rear axle	RGD 000312	L:116
6	865702	silentblock for TCA	RGX 500211	di:16.2 do:70 (*)					

# LAND ROVER DISCOVERY

DISCOVERY V (L462)

09/2016 ->

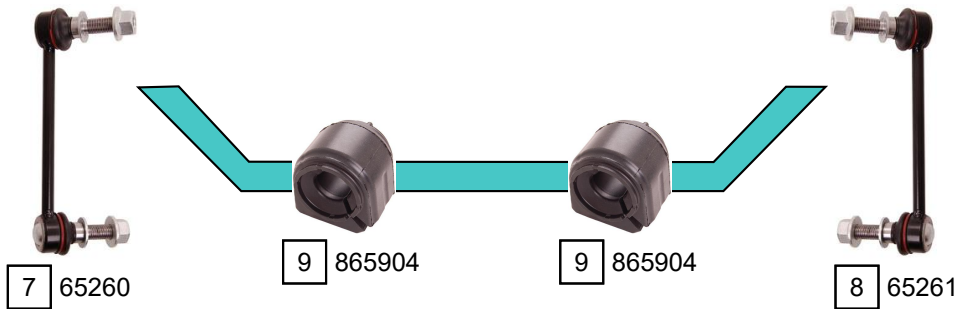
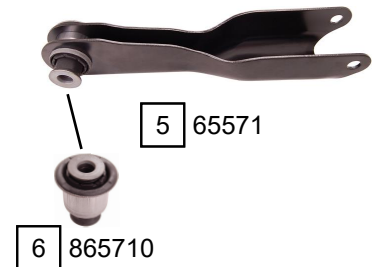
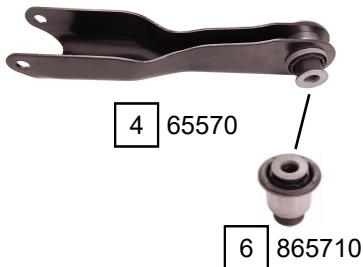
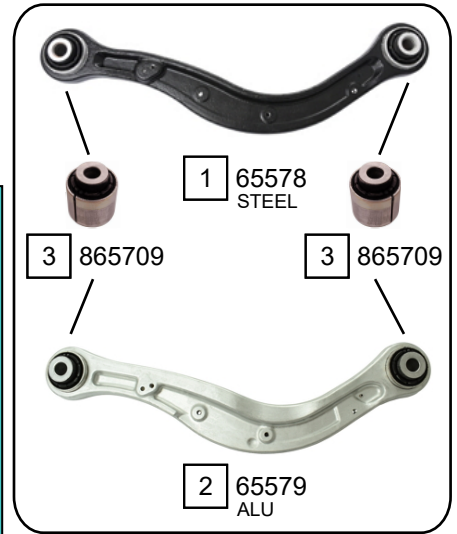
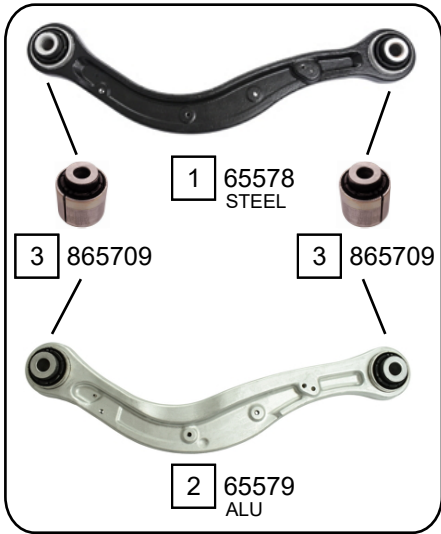


Ref.	Sidem Ref.	Description	OE-number	Measures	Ref.	Sidem Ref.	Description	OE-number	Measures
1	865809	stabiliser mounting	LR0 38557	di:28	9	865619	silentblock for TCA	Part of	di:10 do:41.8 (*)
2	865810	stabiliser mounting	LR0 54997	di:30	10	65478	TCA left wbj	LR1 13307	c:21.5
3	865812	stabiliser mounting	LR0 43584	di:31.5	11	65479	TCA right wbj	LR1 13306	c:21.5
4	65169	stabiliser link	LR0 35489	L:210	12	865618	silentblock for TCA	LR1 00072	di:14.3 (*)
5	65031	tie rod end	LR0 59261	c:16.6 th:FM16X1.5R	13	65772	TCA left wbj	LR1 26099	c:23.5 L:364
6	65111	axial joint	Part of	th:MM16X1.5R L:322	14	65773	TCA right wbj	LR1 48055	c:23.5 L:364
7	65572	TCA left wbj	LR1 13268	c:19.3	15	865620	silentblock for TCA	Part of	di:14 do:46.8 (*)
8	65573	TCA right wbj	LR1 13262	c:19.2	16	865617	silentblock for TCA	Part of	di:14 do:49.8 (*)



DISCOVERY V (L462)

09/2016 ->

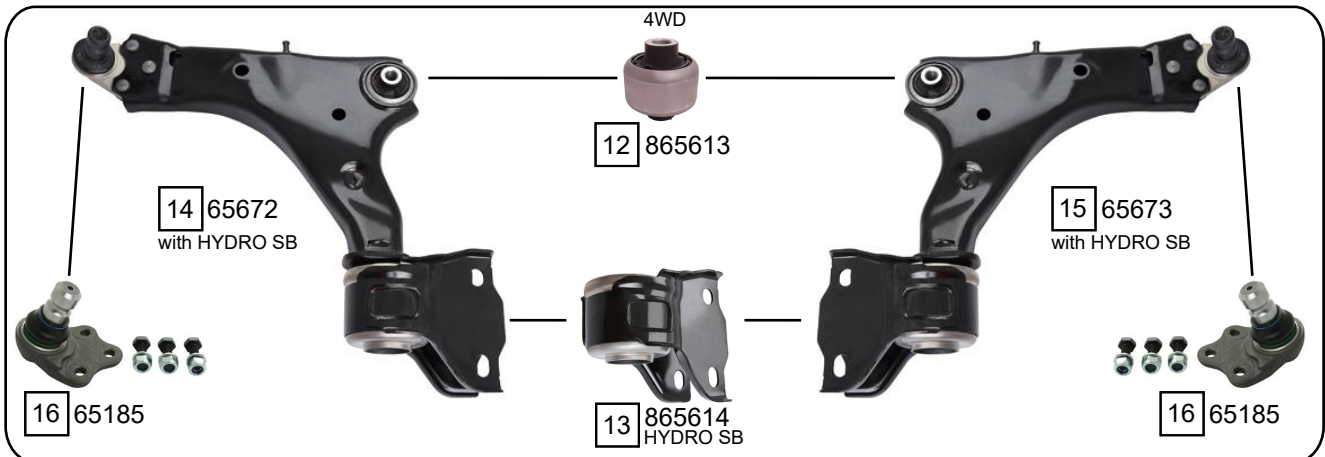
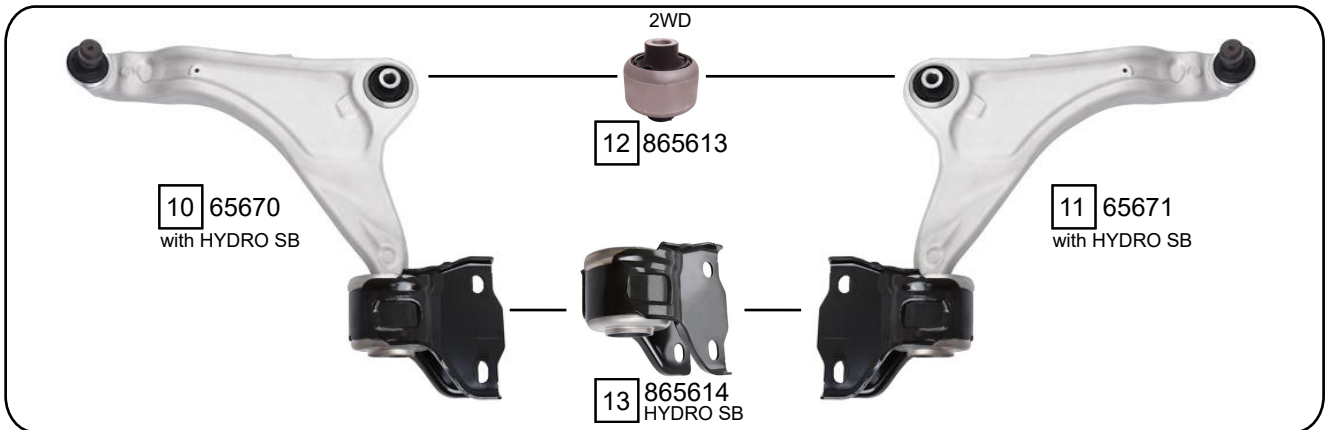
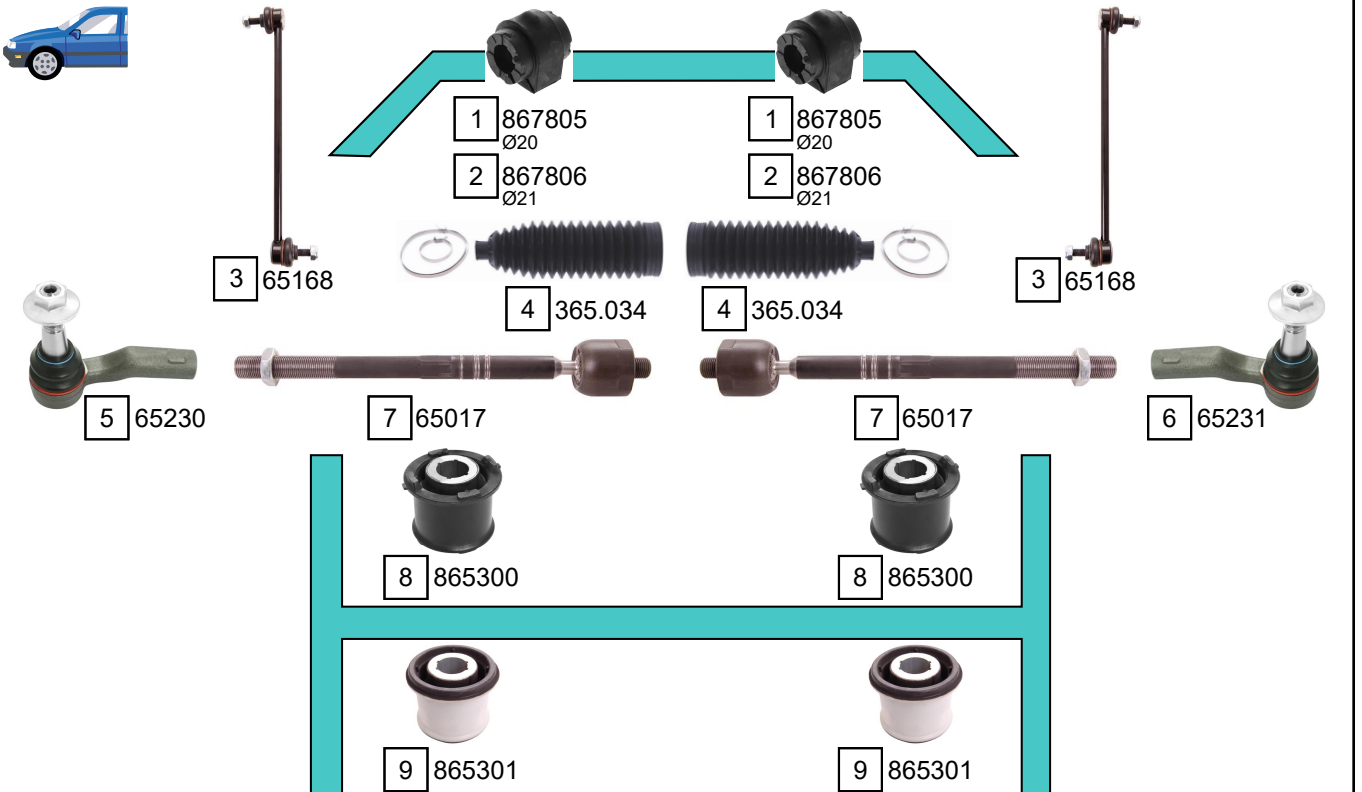


Ref.	Sidem Ref.	Description	OE-number	Measures	Ref.	Sidem Ref.	Description	OE-number	Measures
1	65578	track rod	LR0 37690	L:385	6	865710	silentblock for TCA	Part of	di:16.1 do:46.8 (*)
2	65579	track rod	LR1 39391	L:385	7	65260	stabiliser link left	LR0 48093	L:184
3	865709	silentblock for TCA	Part of	di:14.3 do:47.5 (*)	8	65261	stabiliser link right	LR0 48092	L:184
4	65570	TCA left	LR0 37700	L:310	9	865904	stabiliser mounting	LR0 33238	di:22.5
5	65571	TCA right	LR0 37702	L:310					

# LAND ROVER DISCOVERY

DISCOVERY SPORT (L550) -> CHAS KH999999

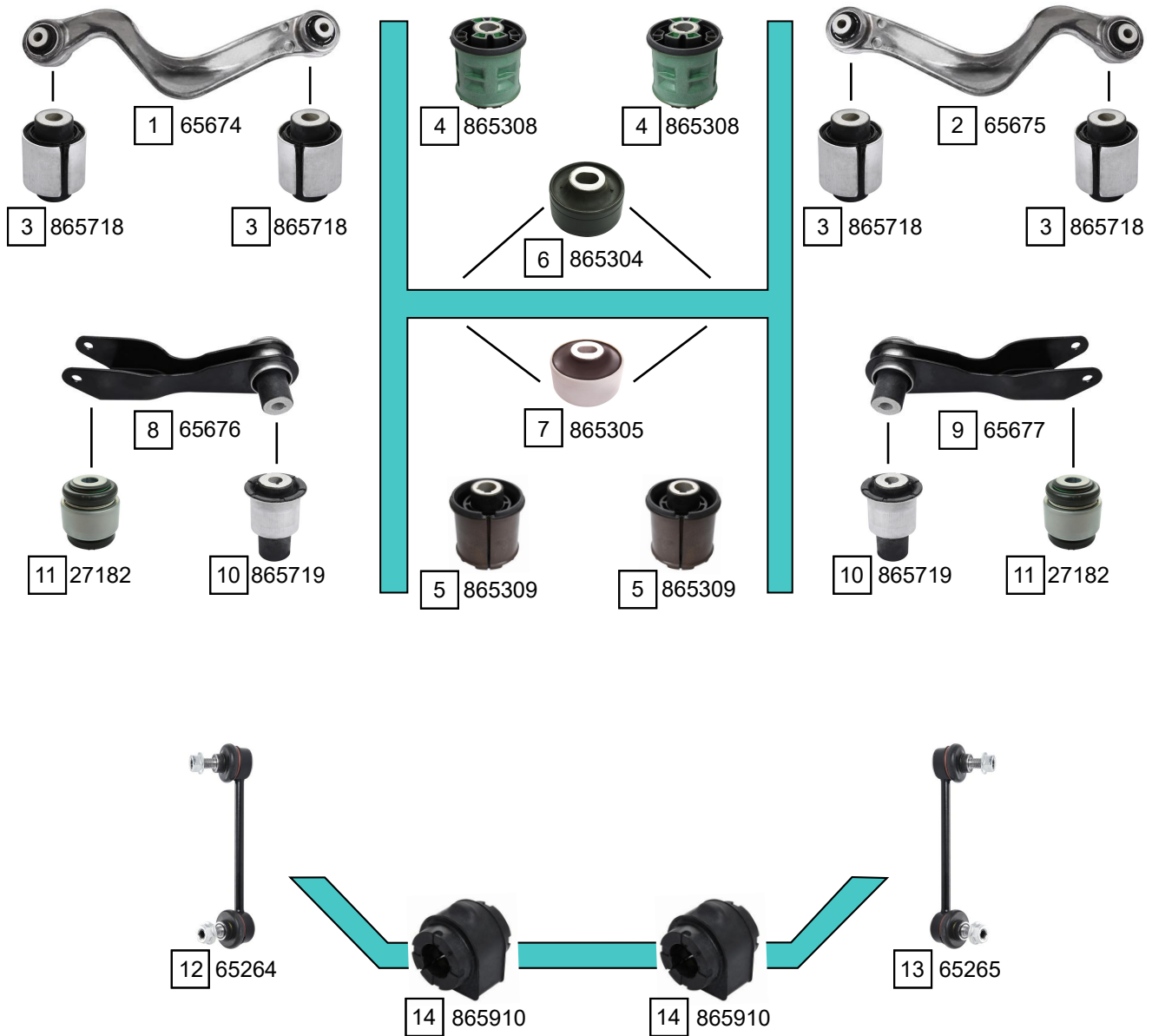
12/2014 - 05/2019



Ref.	Sidem Ref.	Description	OE-number	Measures	Ref.	Sidem Ref.	Description	OE-number	Measures
1	867805	stabiliser mounting	LR0 30743	di:20	9	865301	mounting axle body	LR0 03940	di:24 do:61.5
2	867806	stabiliser mounting	LR0 34392	di:21	10	65670	TCA left wbj	LR0 78657	c:25
3	65168	stabiliser link	LR0 24474	L:321	11	65671	TCA right wbj	LR0 78656	c:25
4	365.034	steering rack gaiter	LR0 26273	D:56 d:18.5 L:208	12	865613	silentblock for TCA	Part of	di:14.1 do:60 (*)
5	65230	tie rod end left	LR0 27570	c:16.5 th:FM18X1.5R	13	865614	silentblock for TCA	Part of	di:24 do:87 (*)
6	65231	tie rod end right	LR0 26267	c:16.5 th:FM18X1.5R	14	65672	TCA left wbj	LR1 17141	c:25
7	65017	axial joint	LR0 26271	th:MM16X1.5R L:297	15	65673	TCA right wbj	LR1 17140	c:25
8	865300	mounting axle body	LR0 12724	di:24 do:61.5	16	65185	ball joint	Part of	c:25

DISCOVERY SPORT (L550) -> CHAS KH999999

12/2014 - 05/2019



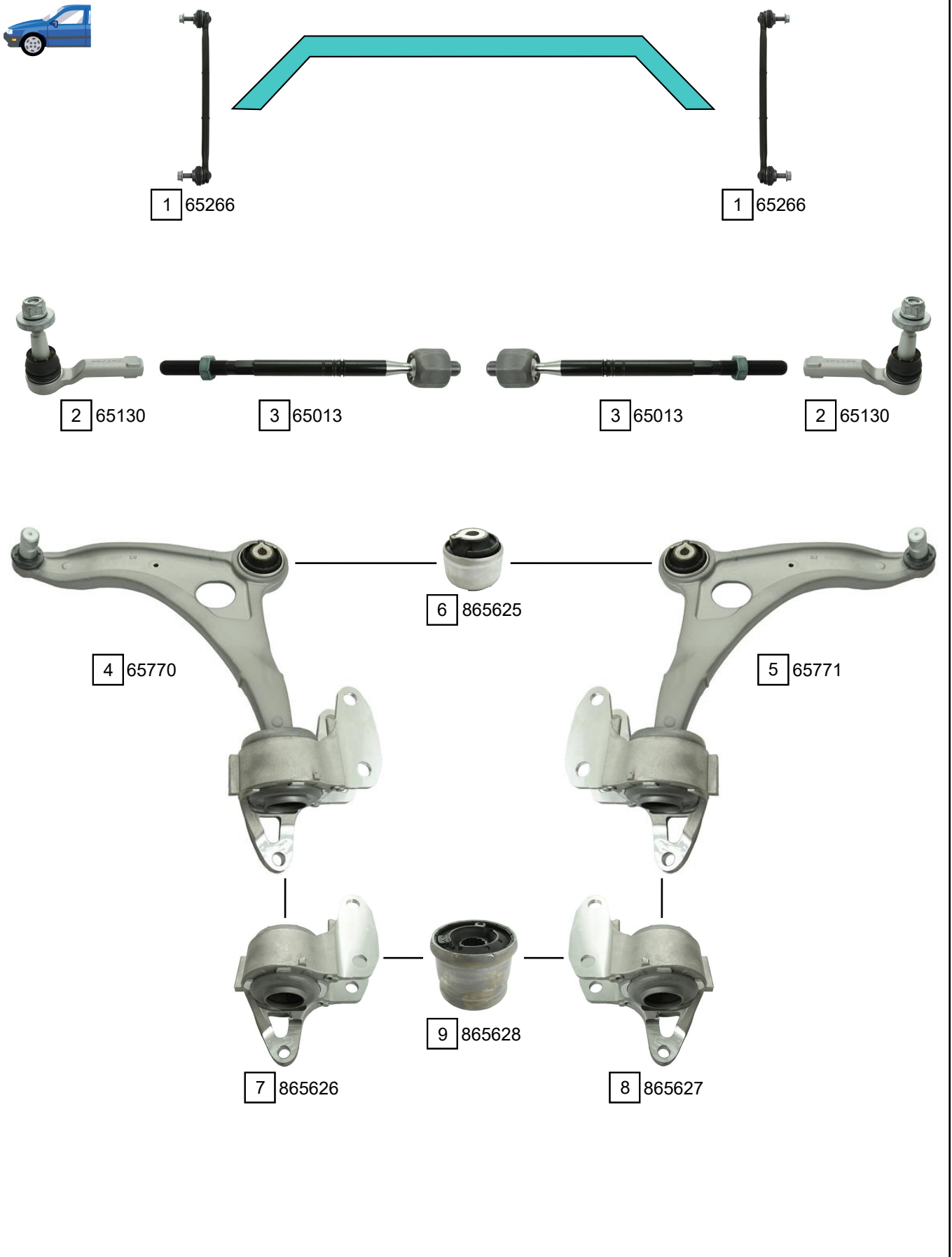
Ref.	Sidem Ref.	Description	OE-number	Measures	Ref.	Sidem Ref.	Description	OE-number	Measures
1	65674	track rod	LR0 73526	L:360	8	65676	track rod	LR0 68167	L:225
2	65675	track rod	LR0 73525	L:360	9	65677	track rod	LR0 68166	L:225
3	865718	silentblock for TCA	Part of	di:12.1 do:44 (*)	10	865719	silentblock for TCA	Part of	di:14 do:50 (*)
4	865308	mounting axle body	LR0 60486	di:22.9 do:85.5	11	27182	ball joint rear	Part of	di:12.2 do:45.2
5	865309	mounting axle body	LR0 61535	di:23 do:85	12	65264	stabiliser link left	LR0 61272	L:160
6	865304	mounting axle body	LR0 05646	di:14.1 do:64.9	13	65265	stabiliser link right	LR0 61271	L:160
7	865305	mounting axle body	LR0 05647	di:12.28 do:72.9	14	865910	stabiliser mounting	LR0 63934	di:23



# LAND ROVER DISCOVERY

DISCOVERY SPORT (L550) CHAS LH000001 ->

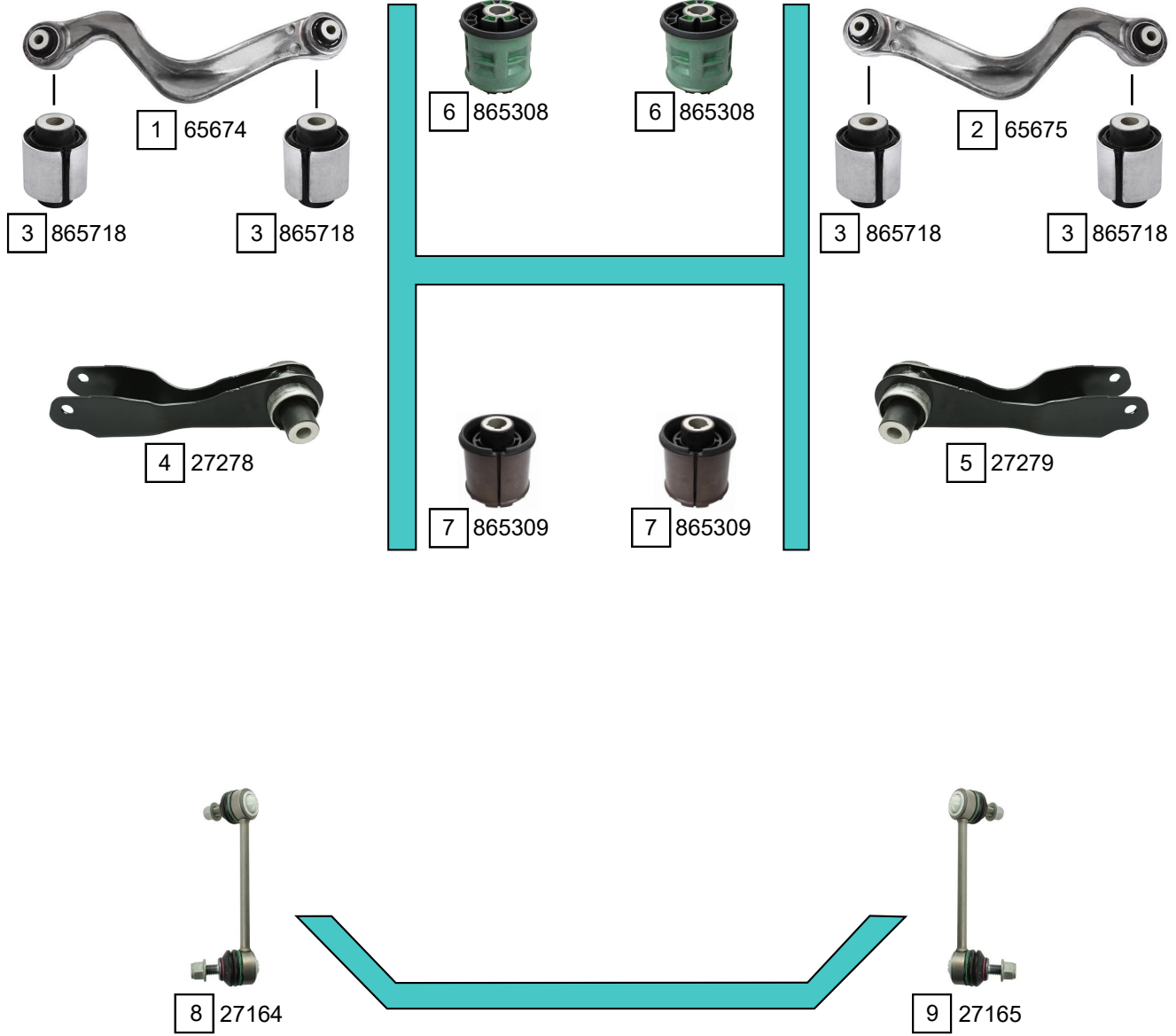
05/2019 ->



Ref.	Sidem Ref.	Description	OE-number	Measures	Ref.	Sidem Ref.	Description	OE-number	Measures
1	65266	stabiliser link	LR1 14253	L:302	6	865625	silentblock for TCA	Part of	di:14.2 do:69.6
2	65130	tie rod end	LR1 35927	c:16.6 th:FM16X1.5R	7	865626	silentblock for TCA	Part of	di:26
3	65013	axial joint	LR1 25338	th:MM16X1.5R L:295	8	865627	silentblock for TCA	Part of	di:26
4	65770	TCA left wbj	LR1 46038	c:27	9	865628	silentblock for TCA	Part of	di:26 do:87.5
5	65771	TCA right wbj	LR1 46037	c:27					

DISCOVERY SPORT (L550) CHAS CHAS LH000001 ->

05/2019 ->

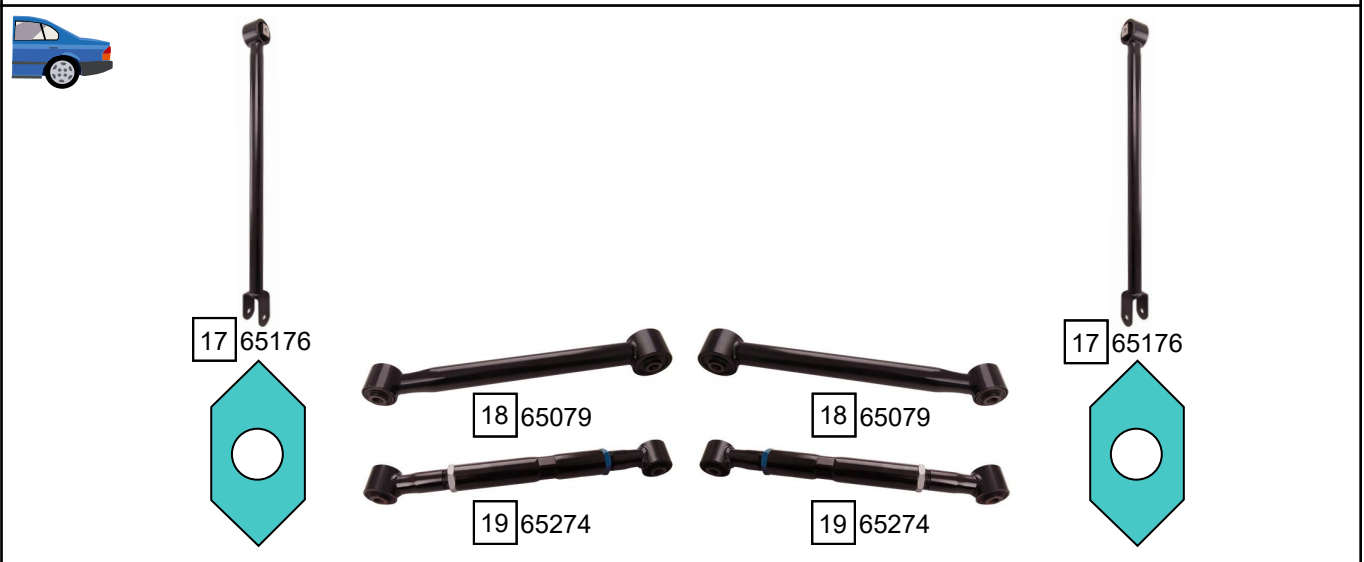
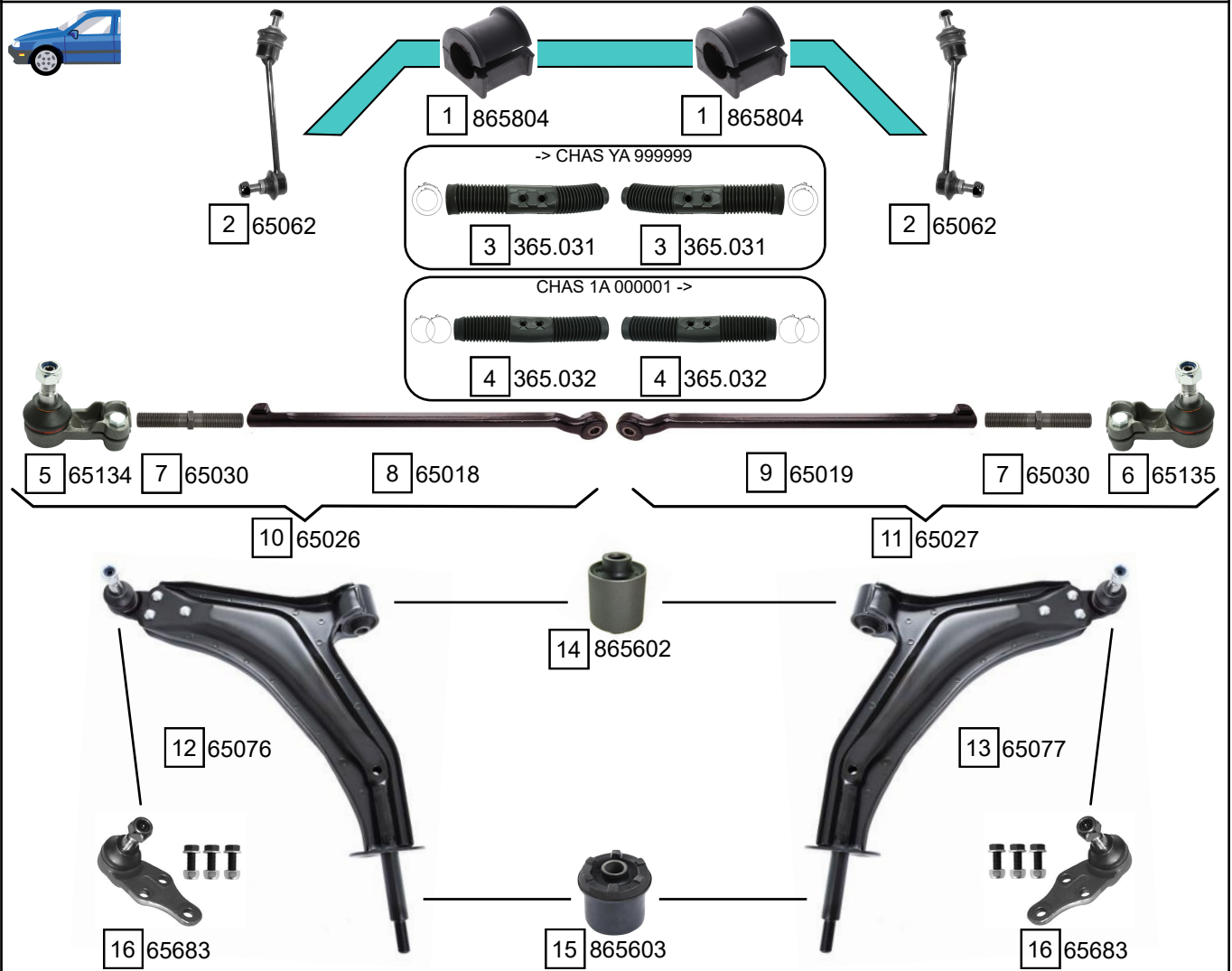


Ref.	Sidem Ref.	Description	OE-number	Measures	Ref.	Sidem Ref.	Description	OE-number	Measures
1	65674	track rod	LR0 73526	L:360	6	865308	mounting axle body	LR0 60486	di:22.9 do:85.5
2	65675	track rod	LR0 73525	L:360	7	865309	mounting axle body	LR0 61535	di:23 do:85
3	865718	silentblock for TCA	Part of	di:12.1 do:44 (*)	8	27164	stabiliser link left	LR1 14304	L:159
4	27278	track rod	LR1 28497	L:229	9	27165	stabiliser link right	LR1 14303	L:159
5	27279	track rod	LR1 28496	L:229					

# LAND ROVER FREELANDER

FREELANDER I (LN)

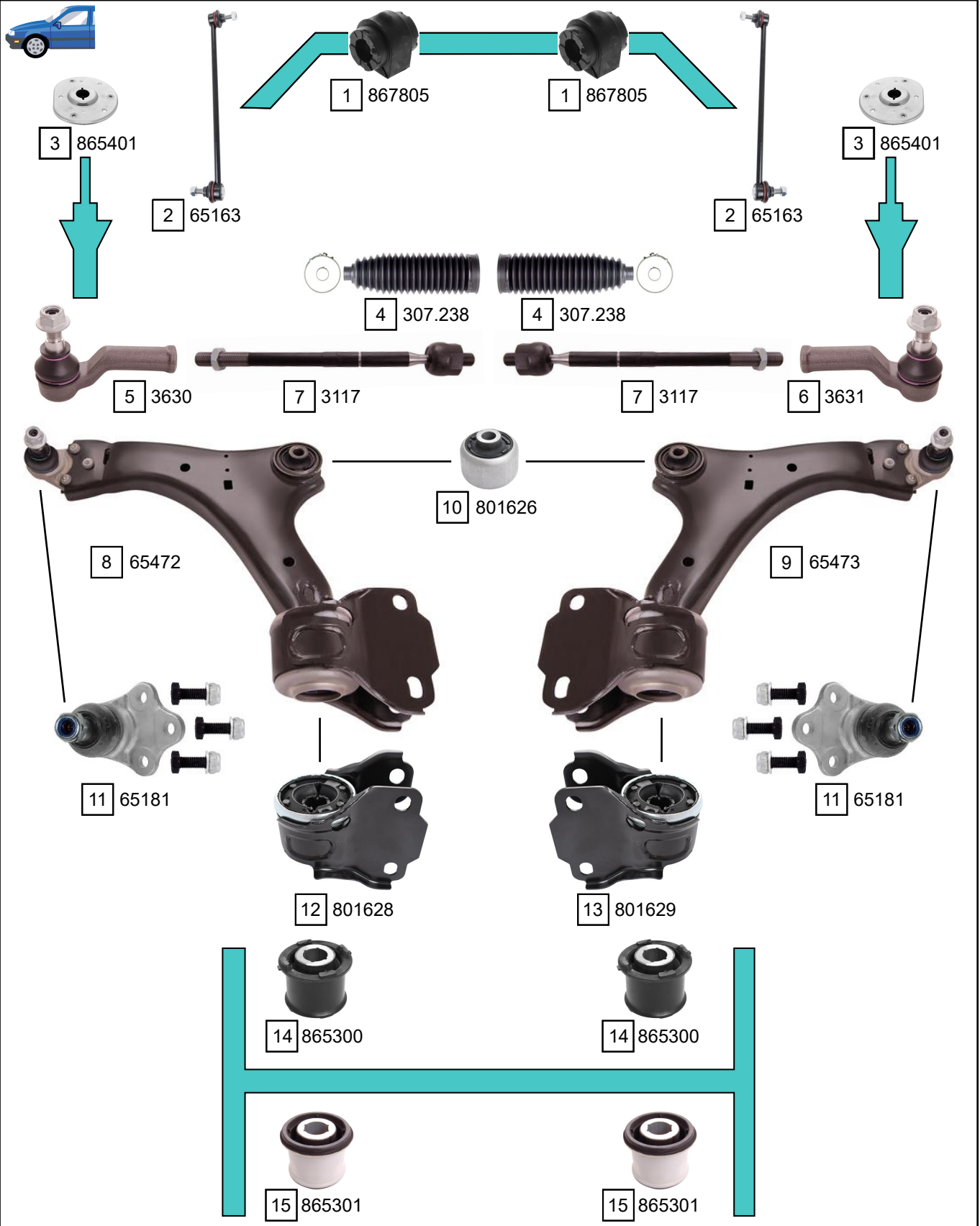
07/1997 - 01/2006



Ref.	Sidem Ref.	Description	OE-number	Measures	Ref.	Sidem Ref.	Description	OE-number	Measures
1	865804	stabiliser mounting	RBX 000010	di:20.5	11	65027	tie rod right	QFK 000070	c:14.7
2	65062	stabiliser link	RBM 100172	L:177	12	65076	TCA left wbj	RBJ 102930	c:15
3	365.031	steering rack gaiter	QEY 100080	D:67 d:44 L:480	13	65077	TCA right wbj	RBJ 102920	c:15
4	365.032	steering rack gaiter	QEY 100081	D:66 d:60.5 L:470	14	865602	silentblock for TCA	RBX 101790	di:14 do:45.4 (*)
5	65134	tie rod end left	QJB 100230	c:14.7 th:FM16X1.5L	15	865603	silentblock for TCA	RBX 101780	di:20.6 do:66 (*)
6	65135	tie rod end right	QJB 100220	c:14.7 th:FM16X1.5R	16	65683	ball joint lower	Part of	c:15
7	65030	adjusting bolt	ANR 5735	L:102	17	65176	TCA	RGD 000090	L:652
8	65018	axial joint	Part of	th:FM16X1.5R L:503	18	65079	track rod	RGD 000110	L:341
9	65019	axial joint	Part of	th:FM16X1.5R L:503	19	65274	track rod	RGD 000060	L:350
10	65026	tie rod left	QFK 000080	c:14.7					

FREELANDER II (FA\_)

10/2006 - 10/2014

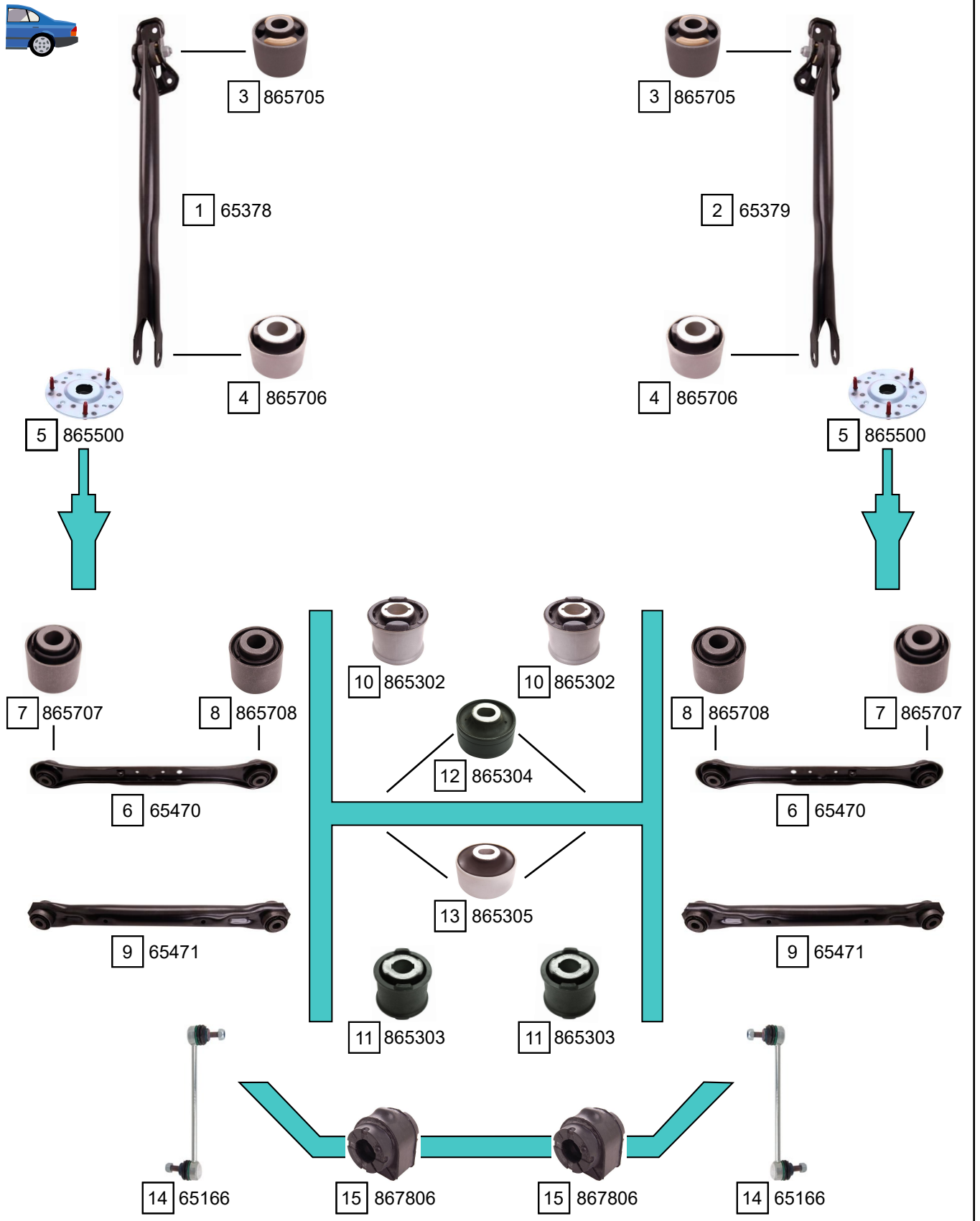


Ref.	Sidem Ref.	Description	OE-number	Measures	Ref.	Sidem Ref.	Description	OE-number	Measures
1	867805	stabiliser mounting	LR0 30743	di:20	9	65473	TCA right wbj	LR0 07205	c:17.9
2	65163	stabiliser link	LR0 02626	L:347	10	801626	silentblock for TCA	Part of	di:14.3 do:61 (*)
3	865401	strut mount	LR0 32578	di:12.2 do:68 L:48	11	65181	ball joint	Part of	c:17.9
4	307.238	steering rack gaiter	LR0 02682	D:52 d:16 L:194	12	801628	silentblock for TCA left	Part of	di:22 do:22 (*)
5	3630	tie rod end left	LR0 02610	c:16.7 th:FM18X1.5R	13	801629	silentblock for TCA right	Part of	di:22 do:22 (*)
6	3631	tie rod end right	LR0 02609	c:16.7 th:FM18X1.5R	14	865300	mounting axle body	LR0 12724	di:24 do:61.5
7	3117	axial joint	LR0 16869	th:MM16X1.5R L:313	15	865301	mounting axle body	LR0 03940	di:24 do:61.5
8	65472	TCA left wbj	LR0 07206	c:17.9					

# LAND ROVER FREELANDER

FREELANDER II (FA\_)

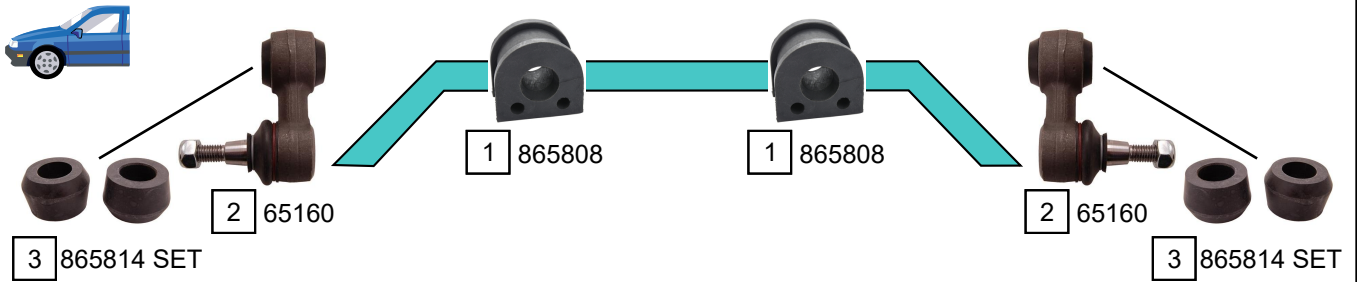
10/2006 - 10/2014



Ref.	Sidem Ref.	Description	OE-number	Measures	Ref.	Sidem Ref.	Description	OE-number	Measures
1	65378	TCA left	LR0 01176	L:660	9	65471	track rod	LR0 02576	L:422
2	65379	TCA right	LR0 01175	L:660	10	865302	mounting axle body	LR0 01118	di:22.8 do:61.3
3	865705	silentblock for TCA	LR0 01182	di:16.1 do:56 (*)	11	865303	mounting axle body	LR0 01119	di:22.8 do:61.3
4	865706	silentblock for TCA	LR0 25421	di:16.1 do:46 (*)	12	865304	mounting axle body	LR0 05646	di:14.1 do:64.9
5	865500	strut mount	LR0 85485	di:12 do:148 L:41.5	13	865305	mounting axle body	LR0 05647	di:12.28 do:72.9
6	65470	track rod	LR0 29576	L:418	14	65166	stabiliser link rear axle	LR0 02876	L:229
7	865707	silentblock for TCA	LR0 01184	di:14.2 do:43.1 (*)	15	867806	stabiliser mounting	LR0 34392	di:21
8	865708	silentblock for TCA	Part of	di:14.1 do:43 (*)					

RANGE ROVER I (CLASSIC)

12/1970 - 07/1994



-> CHAS HA615503



CHAS HA615504 ->



Ref.	Sidem Ref.	Description	OE-number	Measures	Ref.	Sidem Ref.	Description	OE-number	Measures
1	865808	stabiliser mounting	NTC 6828	di:22.5	4	65630	tie rod end	NRC 6007	c:15 th:11/16"x16UNFF
2	65160	stabiliser link	NTC 1888	L:63	5	65631	ball joint kit	RBG 000010	
3	865814 SET	stabiliser mounting set	552819	di:19	6	65633	tie rod end	NRC 4745	c:15 th:11/16"x16UNFL



# LAND ROVER

## RANGE ROVER

RANGE ROVER I (CLASSIC)

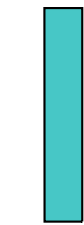
12/1970 - 07/1994



SELF LEVELING  
SUSPENSION UNIT



1 65184



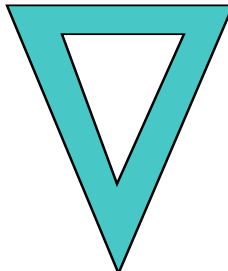
1 65184



2 865717



2 865717



3 65680



4 R10119



5 65160



6 865903



6 865903



5 65160



7 865814 SET



7 865814 SET

Ref.	Sidem Ref.	Description	OE-number	Measures	Ref.	Sidem Ref.	Description	OE-number	Measures
1	65184	ball joint kit	575 882		5	65160	stabiliser link	NTC 1888	L:63
2	865717	silentblock for TCA	NTC 1773	di:19 do:41.6 (*)	6	865903	stabiliser mounting	NTC 7394	di:17
3	65680	ball joint	ANR 1799	c:23.2	7	865814 SET	stabiliser mounting set	552819	di:19
4	R10119	mounting tool ring long ø68	SEE PAGE III	di:60 do:68					

RANGE ROVER II (LP)

07/1994 - 03/2002



1 65065



1 65065

LHD



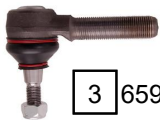
2 65930



3 65938

4 65024

RHD



3 65938



5 65931

6 65022



7 65023



3 65938

8 65021

Ref.	Sidem Ref.	Description	OE-number	Measures	Ref.	Sidem Ref.	Description	OE-number	Measures
1	65065	stabiliser link	ANR 3304	L:97	5	65931	tie rod end right	QEK 000040	c:14 th:FM22X1.5R
2	65930	tie rod end left	QEK 000050	c:14 th:FM22X1.5R	6	65022	tie rod	QHG 000060	c:14 L:1170
3	65938	tie rod end	QFS 000010	c:14 th:MM18X1.5L	7	65023	tie rod	QFS 000060	c:14 L:1230
4	65024	tie rod	QHG 000070	c:14 L:1170	8	65021	tie rod	TIQ 000020	c:14 L:1433

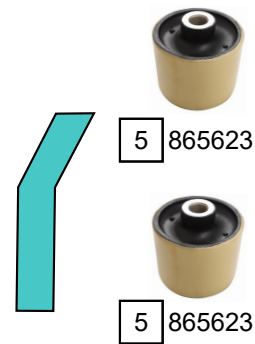
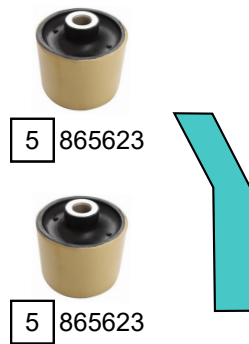
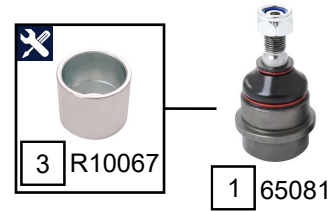


# LAND ROVER

## RANGE ROVER

RANGE ROVER II (LP)

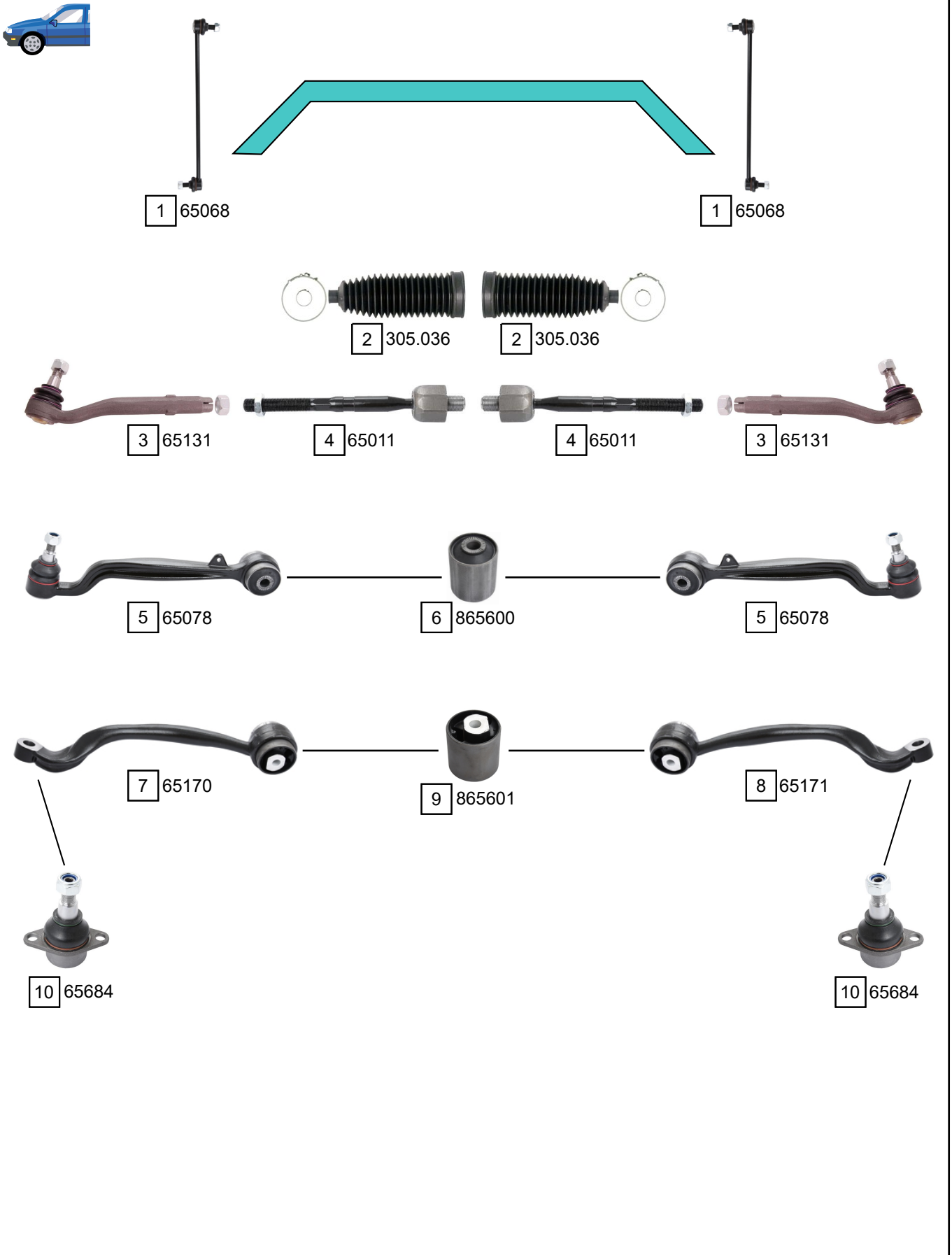
07/1994 - 03/2002



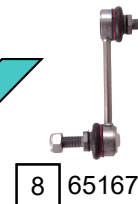
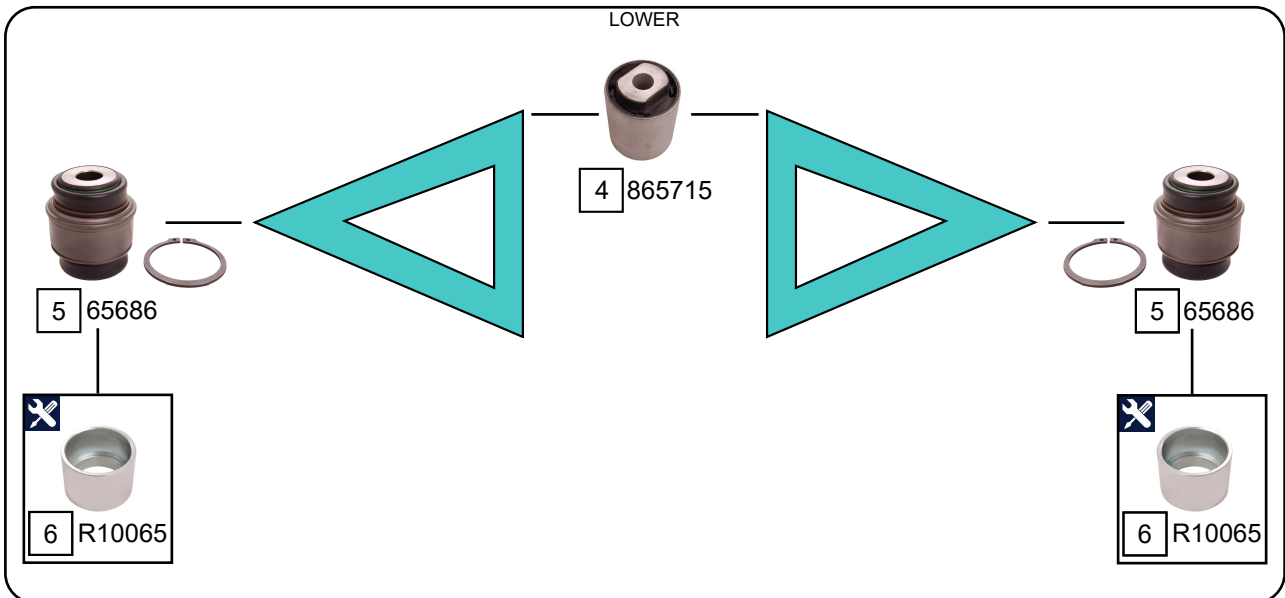
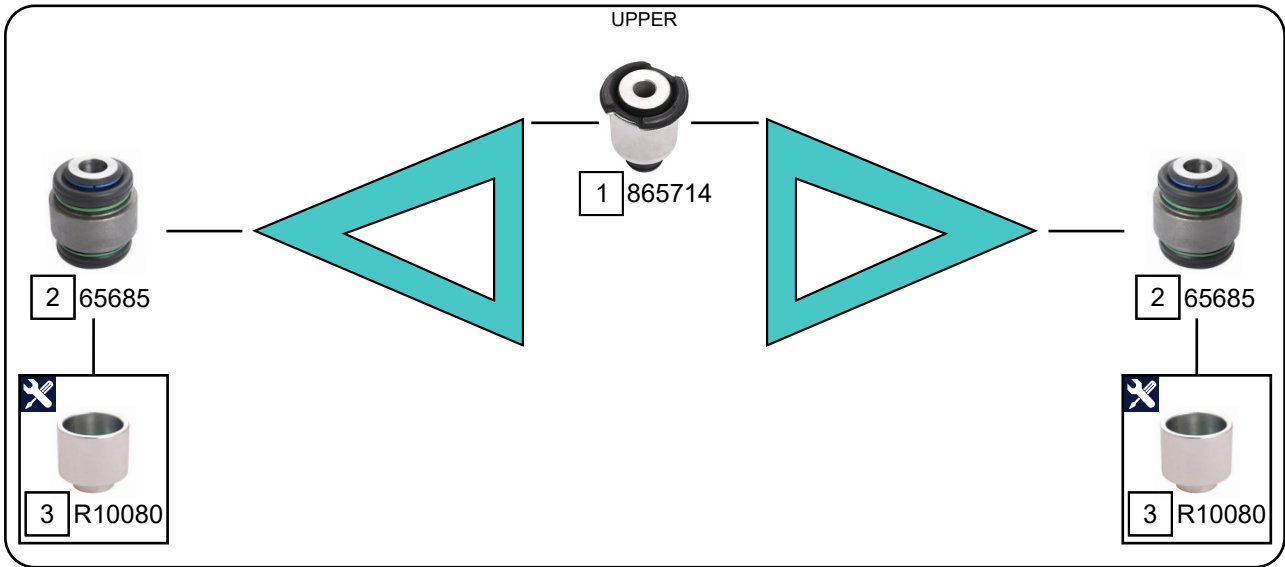
Ref.	Sidem Ref.	Description	OE-number	Measures	Ref.	Sidem Ref.	Description	OE-number	Measures
1	65081	ball joint	FTC 3570	c:16 do:45.6	4	R10116	mounting tool ring long ø62	SEE PAGE III	di:54 do:62
2	65682	ball joint	FTC 3571	c:18.9 do:44.5	5	865623	silentblock for TCA	ANR 3332	di:12.2 do:61.5 (*)
3	R10067	mounting tool ring ø56 ø48	SEE PAGE III	di:48 do:56					

RANGE ROVER III (LM)

03/2002 - 08/2012



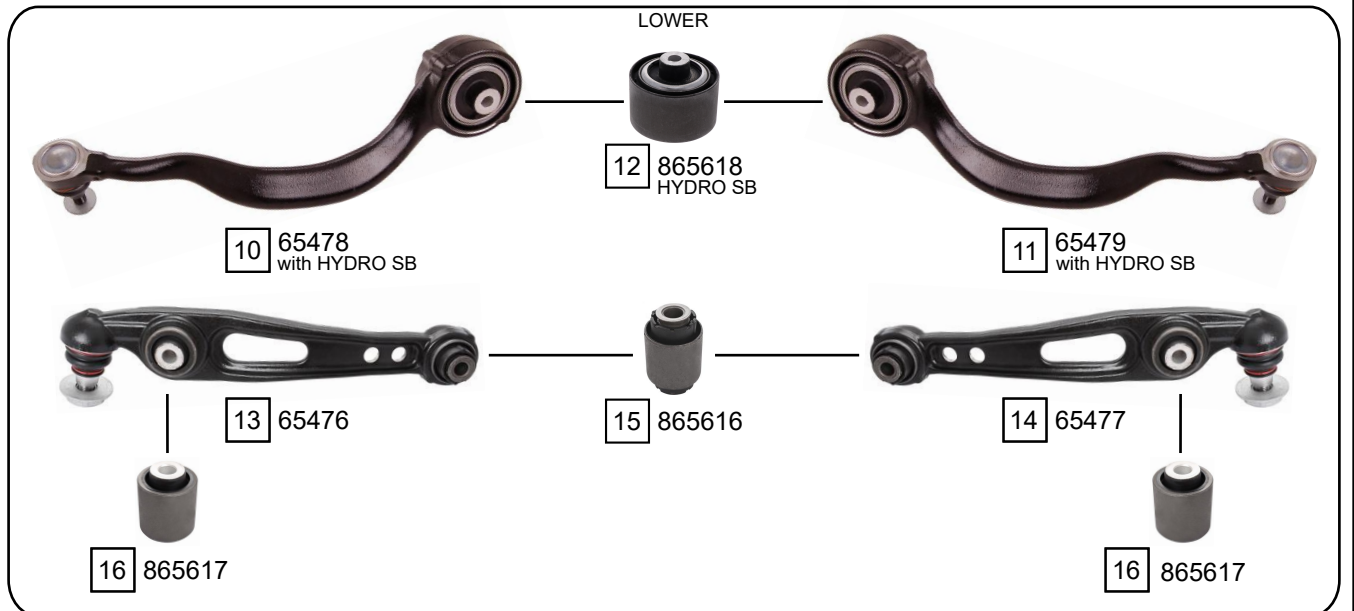
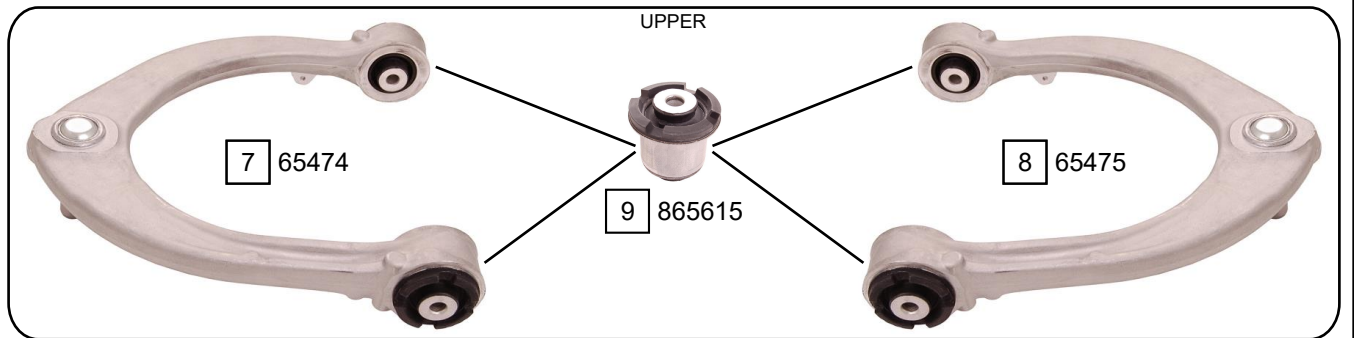
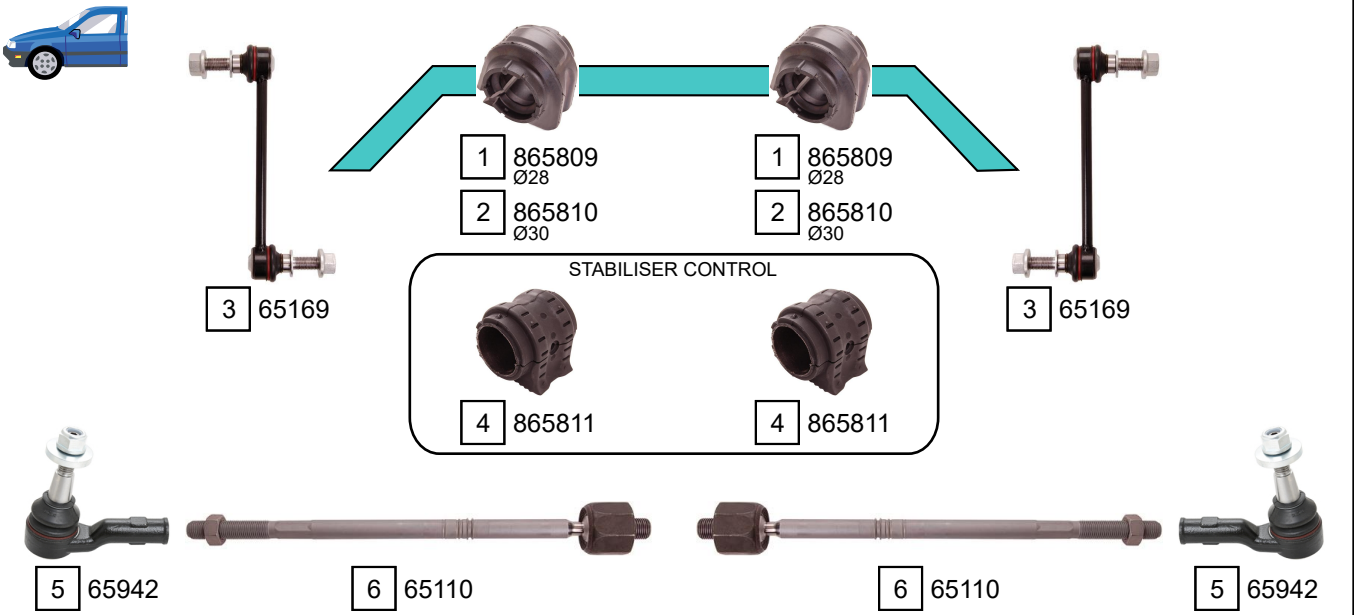
Ref.	Sidem Ref.	Description	OE-number	Measures	Ref.	Sidem Ref.	Description	OE-number	Measures
1	65068	stabiliser link	RBM 500200	L:380	6	865600	silentblock for TCA	RBX 000070	di:14.2 do:52.5 (*)
2	305.036	steering rack gaiter	QFW 000010	D:66 d:16 L:208	7	65170	TCA left wobj	RBJ 000130	c:17.5
3	65131	tie rod end	TIQ 000030	c:15.4 th:FM16X1.5R	8	65171	TCA right wobj	RBJ 000120	c:17.5
4	65011	axial joint	TIQ 000040	th:MM18X1.5R L:228	9	865601	silentblock for TCA	RBX 000200	di:14.2 do:66.3 (*)
5	65078	TCA wbj	RBJ 500920	c:18.5	10	65684	ball joint	RBK 500210	c:18.4



Ref.	Sidem Ref.	Description	OE-number	Measures	Ref.	Sidem Ref.	Description	OE-number	Measures
1	865714	silentblock for TCA	RGX 000080	di:14.2 do:46.2 (*)	5	65686	ball joint rear	RBK 500220	di:16.2 do:54
2	65685	ball joint rear	RHF 000260	di:14.1 do:45.3	6	R10065	mounting tool ring ø60 ø52	SEE PAGE III	di:52 do:60
3	R10080	mounting tool ring ø48 ø40	SEE PAGE III	di:40 do:48	7	65069	stabiliser link rear axle	RGD 500180	L:305
4	865715	silentblock for TCA	RGX 000060	di:14.2 do:52.5 (*)	8	65167	stabiliser link rear axle	LR0 30048	L:120

RANGE ROVER IV (LG)

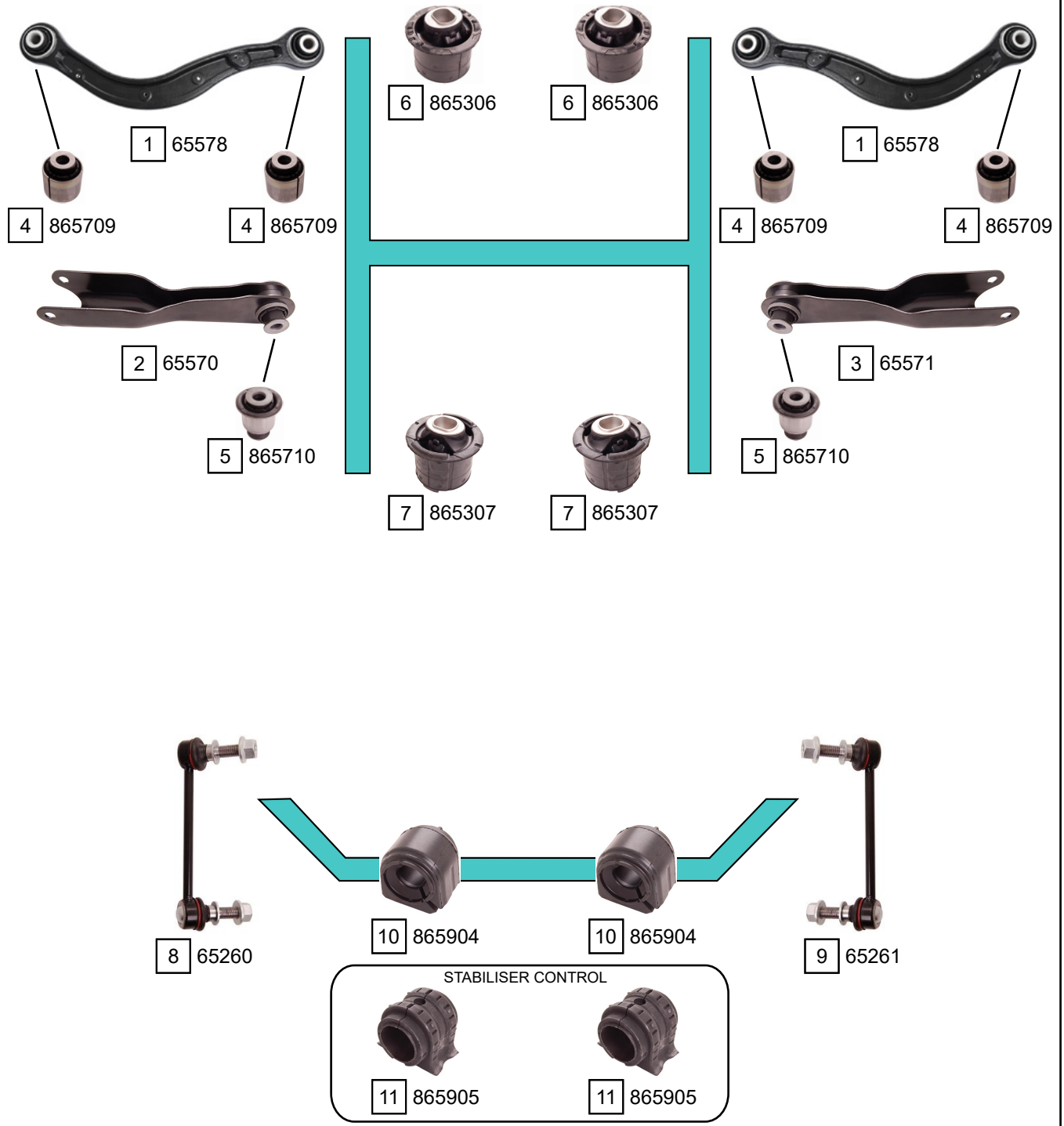
08/2012 ->



Ref.	Sidem Ref.	Description	OE-number	Measures	Ref.	Sidem Ref.	Description	OE-number	Measures
1	865809	stabiliser mounting	LR0 38557	di:28	9	865615	silentblock for TCA	Part of	di:10.1 do:41.8 (*)
2	865810	stabiliser mounting	LR0 54997	di:30	10	65478	TCA left wbj	LR1 13307	c:21.5
3	65169	stabiliser link	LR0 35489	L:210	11	65479	TCA right wbj	LR1 13306	c:21.5
4	865811	stabiliser mounting	LR0 48451	di:39	12	865618	silentblock for TCA	LR1 00072	di:14.3 (*)
5	65942	tie rod end	LR0 33534	c:16.5 th:FM14X1.5R	13	65476	TCA left wbj	LR0 78478	c:22.5 L:364
6	65110	axial joint	LR0 33529	th:MM16X1.5R L:330	14	65477	TCA right wbj	LR0 78476	c:22.5
7	65474	TCA left wbj	LR0 34214	c:19.2	15	865616	silentblock for TCA	Part of	di:14 do:76.1 (*)
8	65475	TCA right wbj	LR0 34211	c:19.2	16	865617	silentblock for TCA	Part of	di:14 do:49.8 (*)

RANGE ROVER IV (LG)

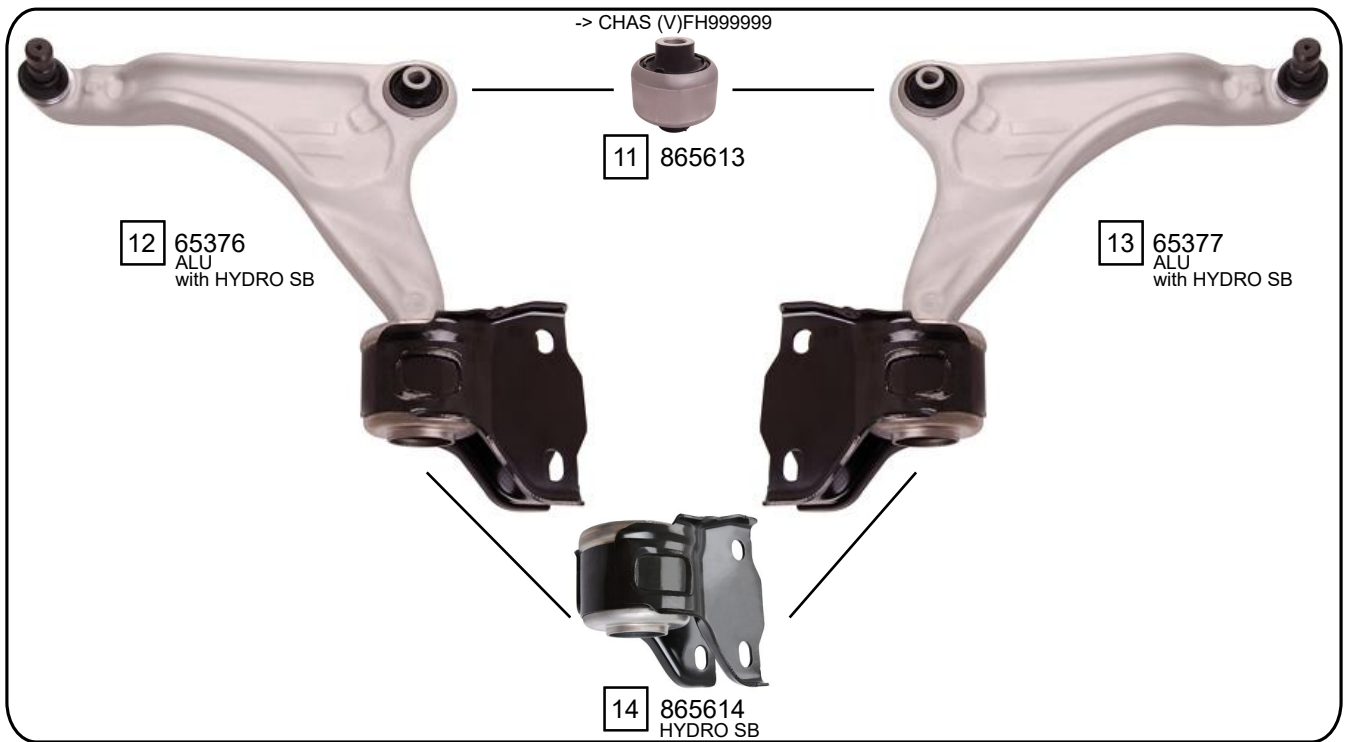
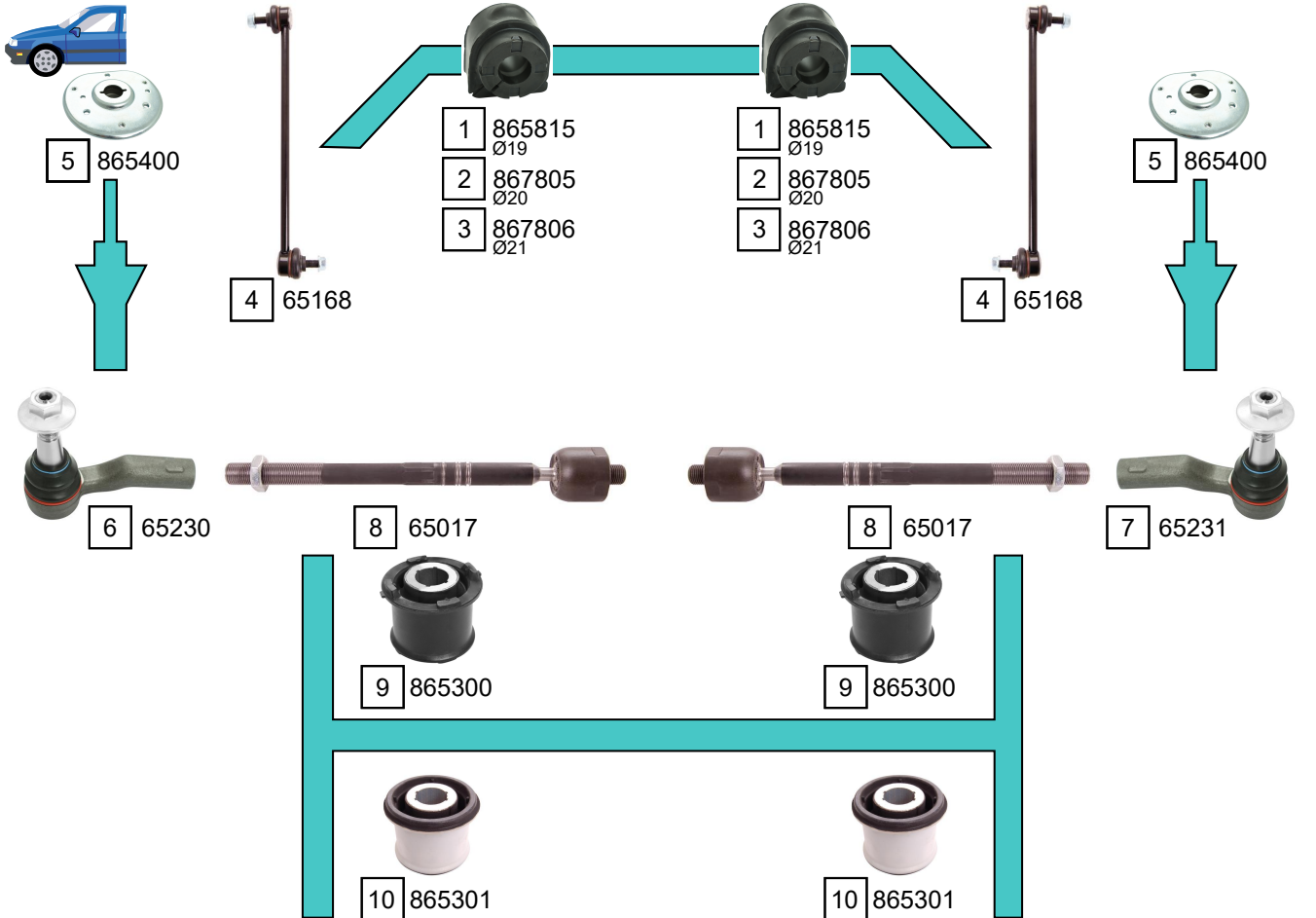
08/2012 ->



Ref.	Sidem Ref.	Description	OE-number	Measures	Ref.	Sidem Ref.	Description	OE-number	Measures
1	65578	track rod	LR0 37690	L:385	7	865307	mounting axle body	LR0 37514	di:19 do:95
2	65570	TCA left	LR0 37700	L:310	8	65260	stabiliser link left	LR0 48093	L:184
3	65571	TCA right	LR0 37702	L:310	9	65261	stabiliser link right	LR0 48092	L:184
4	865709	silentblock for TCA	Part of	di:14.3 do:47.5 (*)	10	865904	stabiliser mounting	LR0 33238	di:22.5
5	865710	silentblock for TCA	Part of	di:16.1 do:46.8 (*)	11	865905	stabiliser mounting	LR0 48462	di:39.9
6	865306	mounting axle body	LR0 58008	di:19 do:95					

RANGE ROVER EVOQUE (LV)  
RANGE ROVER EVOQUE CONVERTIBLE (LV)

06/2011 ->  
02/2016 ->



Ref.	Sidem Ref.	Description	OE-number	Measures	Ref.	Sidem Ref.	Description	OE-number	Measures
1	865815	stabiliser mounting	LR1 10708	di:18.5	8	65017	axial joint	LR0 26271	th:MM16X1.5R L:297
2	867805	stabiliser mounting	LR0 30743	di:20	9	865300	mounting axle body	LR0 12724	di:24 do:61.5
3	867806	stabiliser mounting	LR0 34392	di:21	10	865301	mounting axle body	LR0 03940	di:24 do:61.5
4	65168	stabiliser link	LR0 24474	L:321	11	865613	silentblock for TCA	Part of	di:14.1 do:60 (*)
5	865400	strut mount	LR0 24477	di:12.2 do:68 L:48.5	12	65376	TCA left wbj	LR0 45802	c:25
6	65230	tie rod end left	LR0 27570	c:16.5 th:FM18X1.5R	13	65377	TCA right wbj	LR0 45803	c:25
7	65231	tie rod end right	LR0 26267	c:16.5 th:FM18X1.5R	14	865614	silentblock for TCA	Part of	di:24 do:87 (*)



# LAND ROVER

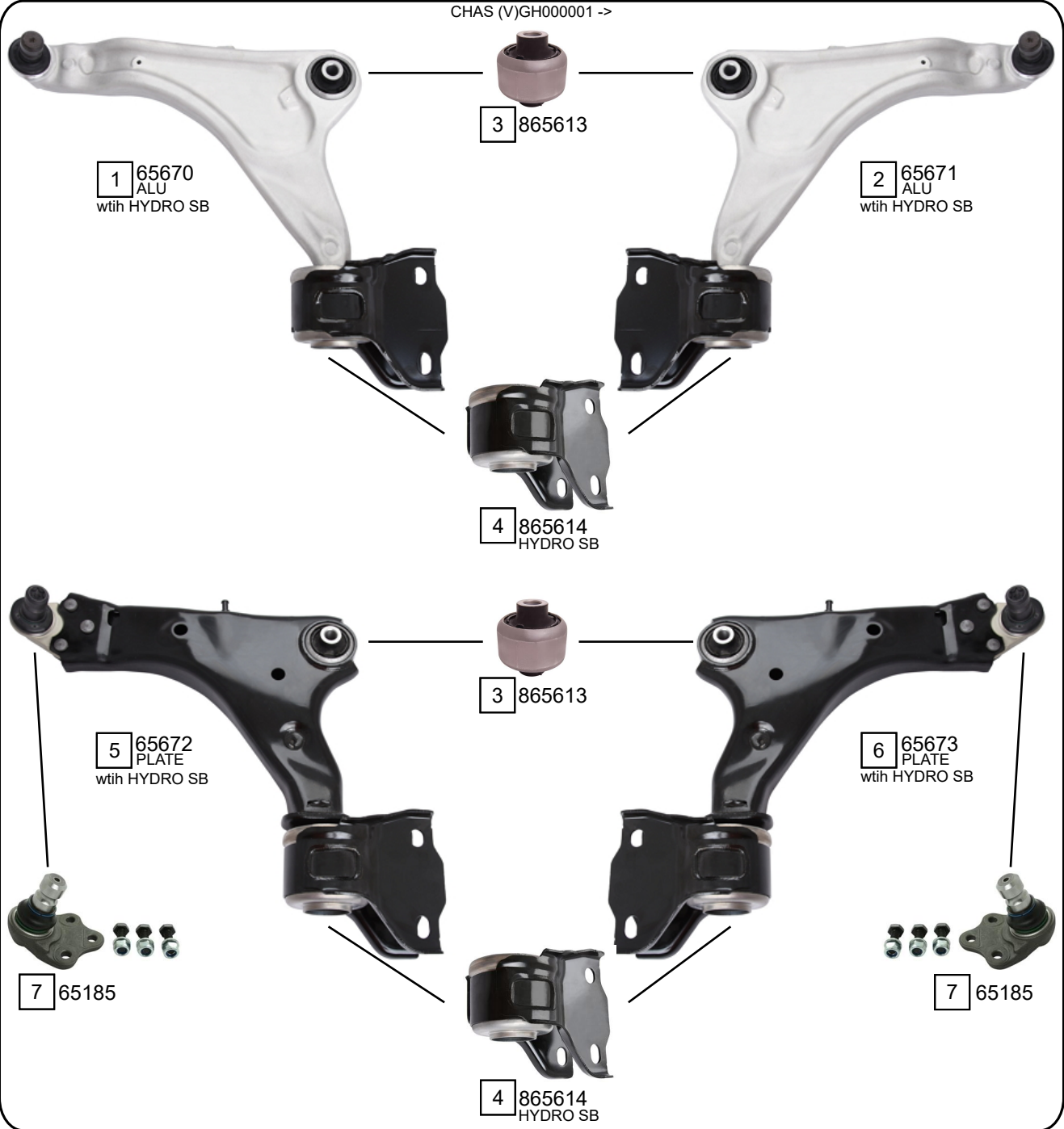
## RANGE ROVER

RANGE ROVER EVOQUE (LV)  
RANGE ROVER EVOQUE CONVERTIBLE (LV)

06/2011 ->  
02/2016 ->



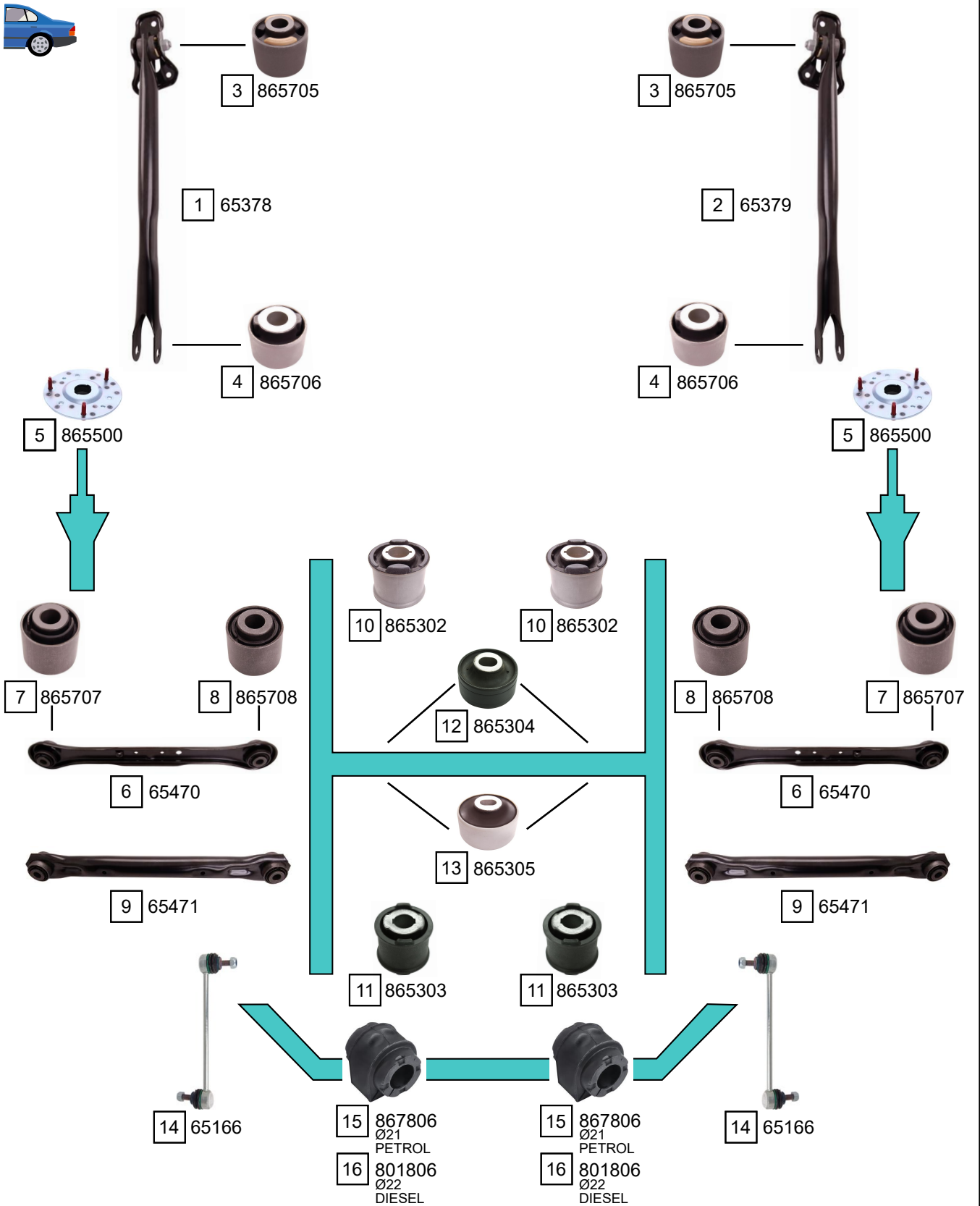
CHAS (V)GH000001 ->



Ref.	Sidem Ref.	Description	OE-number	Measures	Ref.	Sidem Ref.	Description	OE-number	Measures
1	65670	TCA left wbj	LR0 78657	c:25	5	65672	TCA left wbj	LR1 17141	c:25
2	65671	TCA right wbj	LR0 78656	c:25	6	65673	TCA right wbj	LR1 17140	c:25
3	865613	silentblock for TCA	Part of	di:14.1 do:60 (*)	7	65185	ball joint	Part of	c:25
4	865614	silentblock for TCA	Part of	di:24 do:87 (*)					

RANGE ROVER EVOQUE (LV)  
RANGE ROVER EVOQUE CONVERTIBLE (LV)

06/2011 ->  
02/2016 ->



Ref.	Sidem Ref.	Description	OE-number	Measures	Ref.	Sidem Ref.	Description	OE-number	Measures
1	65378	TCA left	LR0 01176	L:660	9	65471	track rod	LR0 02576	L:422
2	65379	TCA right	LR0 01175	L:660	10	865302	mounting axle body	LR0 01118	di:22.8 do:61.3
3	865705	silentblock for TCA	LR0 01182	di:16.1 do:56 (*)	11	865303	mounting axle body	LR0 01119	di:22.8 do:61.3
4	865706	silentblock for TCA	LR0 25421	di:16.1 do:46 (*)	12	865304	mounting axle body	LR0 05646	di:14.1 do:64.9
5	865500	strut mount	LR0 85485	di:12 do:148 L:41.5	13	865305	mounting axle body	LR0 05647	di:12.28 do:72.9
6	65470	track rod	LR0 29576	L:418	14	65166	stabiliser link rear axle	LR0 02876	L:229
7	865707	silentblock for TCA	LR0 01184	di:14.2 do:43.1 (*)	15	867806	stabiliser mounting	LR0 34392	di:21
8	865708	silentblock for TCA	Part of	di:14.1 do:43 (*)	16	801806	stabiliser mounting	LR0 31310	di:22

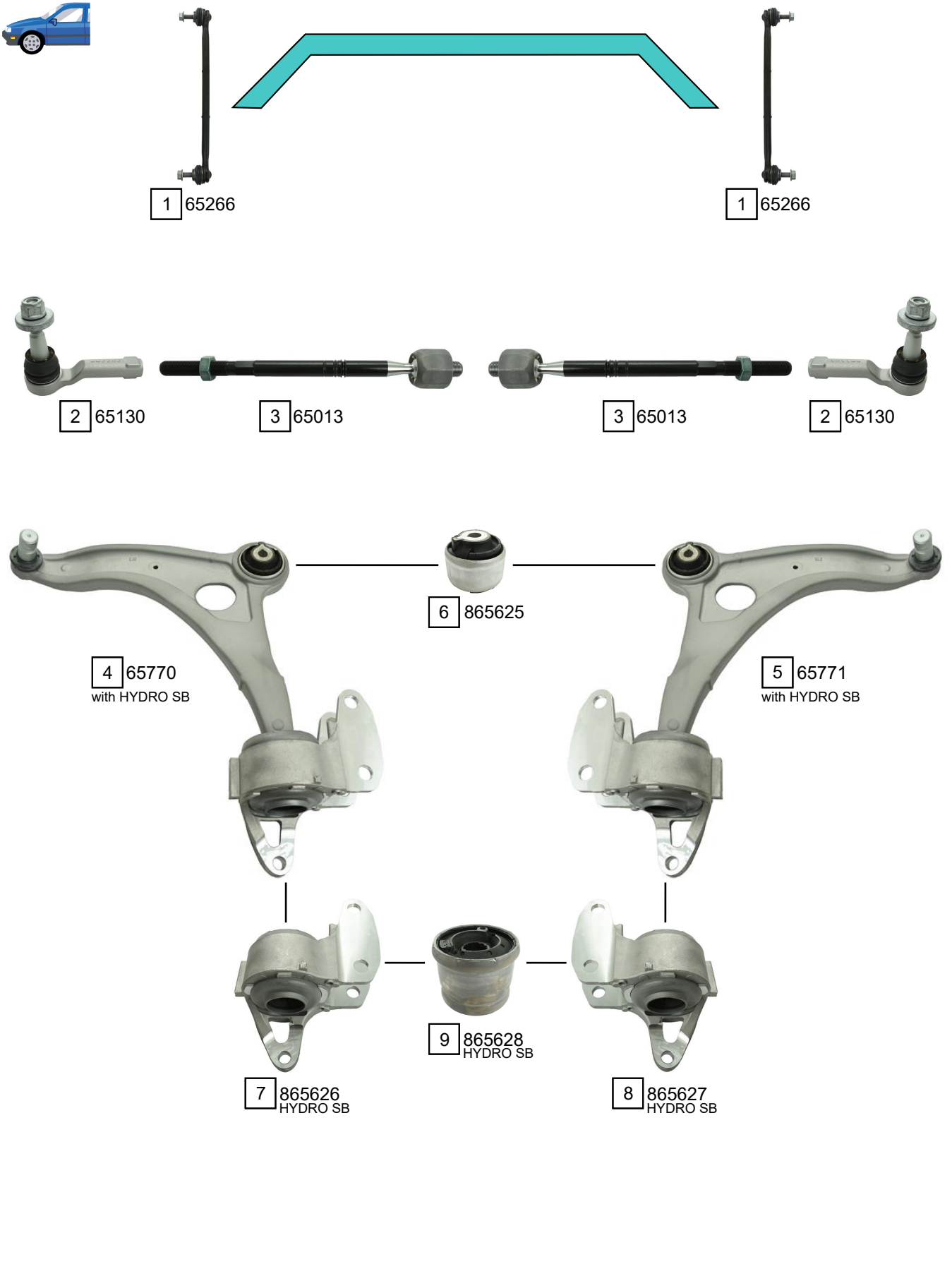


# LAND ROVER

## RANGE ROVER

RANGE ROVER EVOQUE (L551)

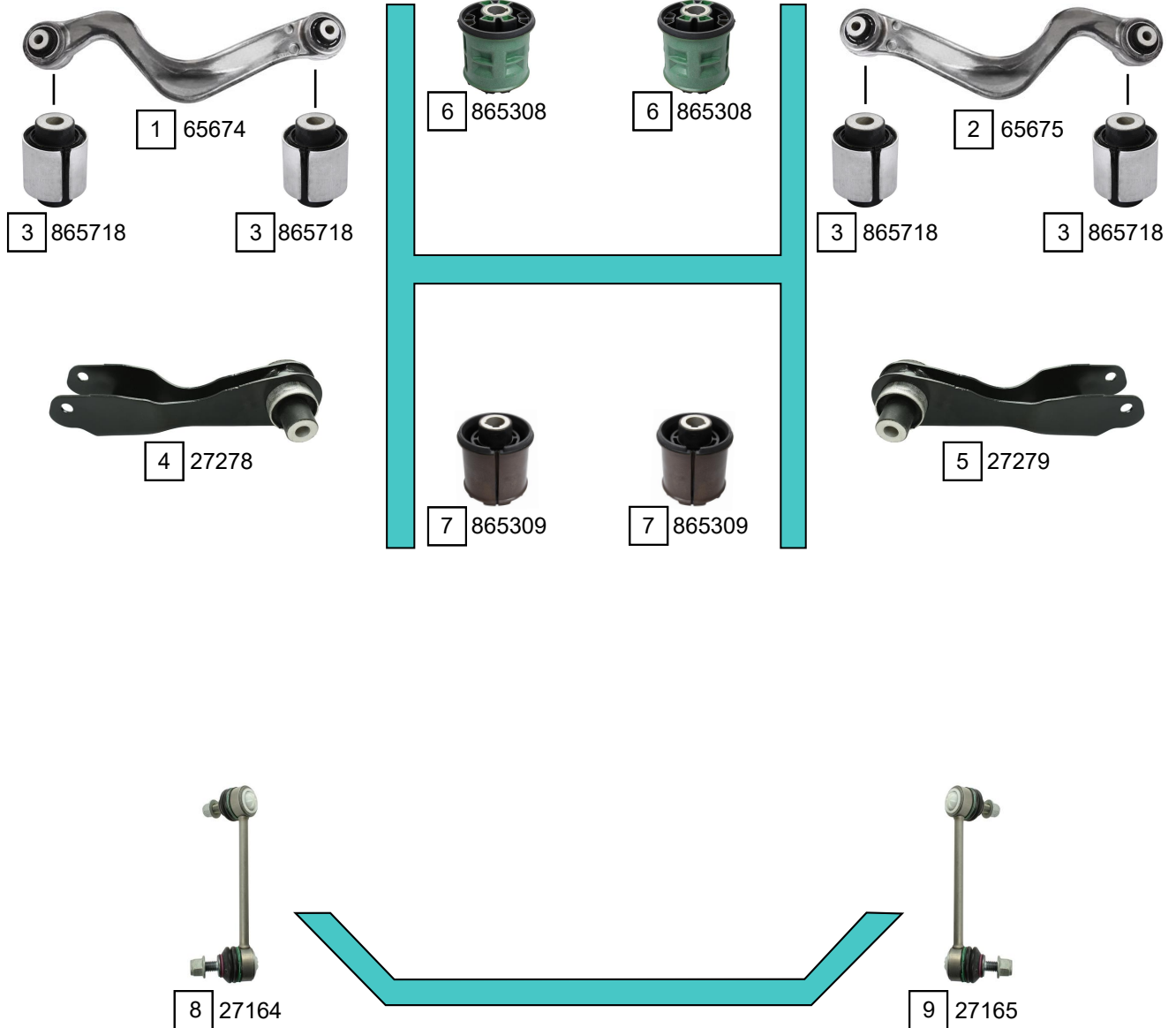
12/2018 ->



Ref.	Sidem Ref.	Description	OE-number	Measures	Ref.	Sidem Ref.	Description	OE-number	Measures
1	65266	stabiliser link	LR1 14253	L:302	6	865625	silentblock for TCA	Part of	di:14.2 do:69.6
2	65130	tie rod end	LR1 35927	c:16.6 th:FM16X1.5R	7	865626	silentblock for TCA	Part of	di:26
3	65013	axial joint	LR1 25338	th:MM16X1.5R L:295	8	865627	silentblock for TCA	Part of	di:26
4	65770	TCA left wbj	LR1 46038	c:27	9	865628	silentblock for TCA	Part of	di:26 do:87.5
5	65771	TCA right wbj	LR1 46037	c:27					

RANGE ROVER EVOQUE (L551)

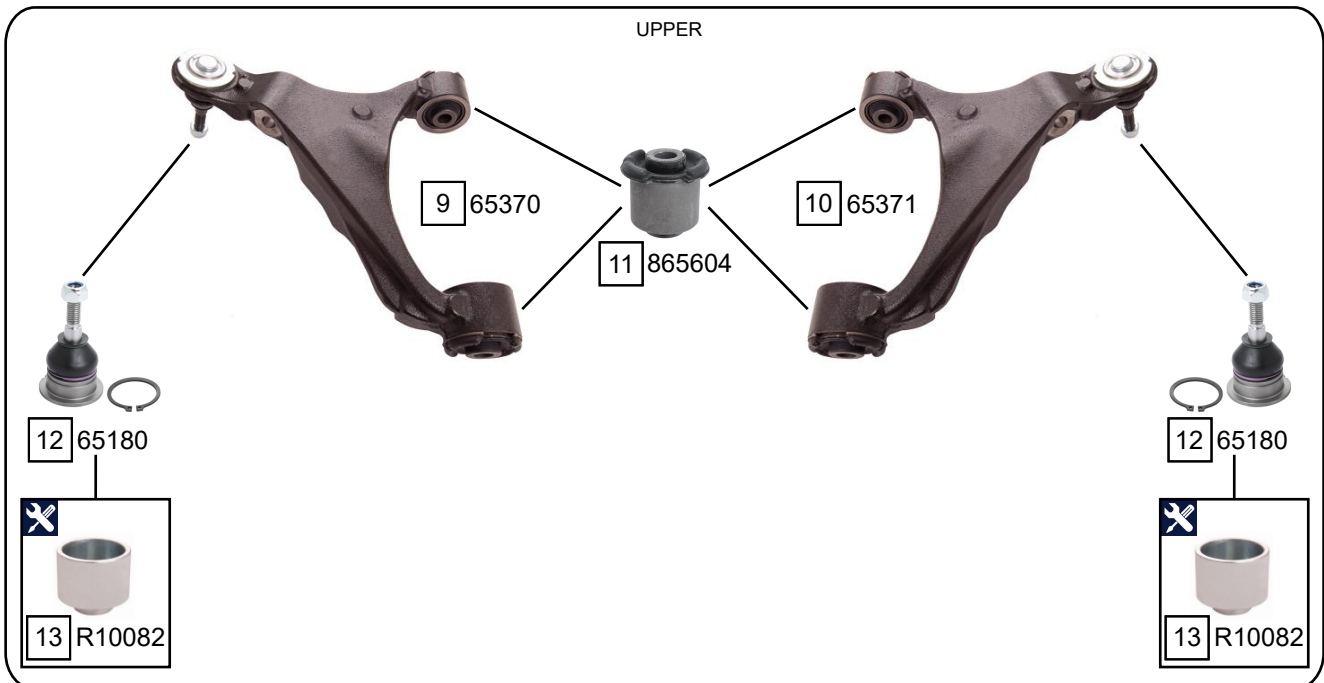
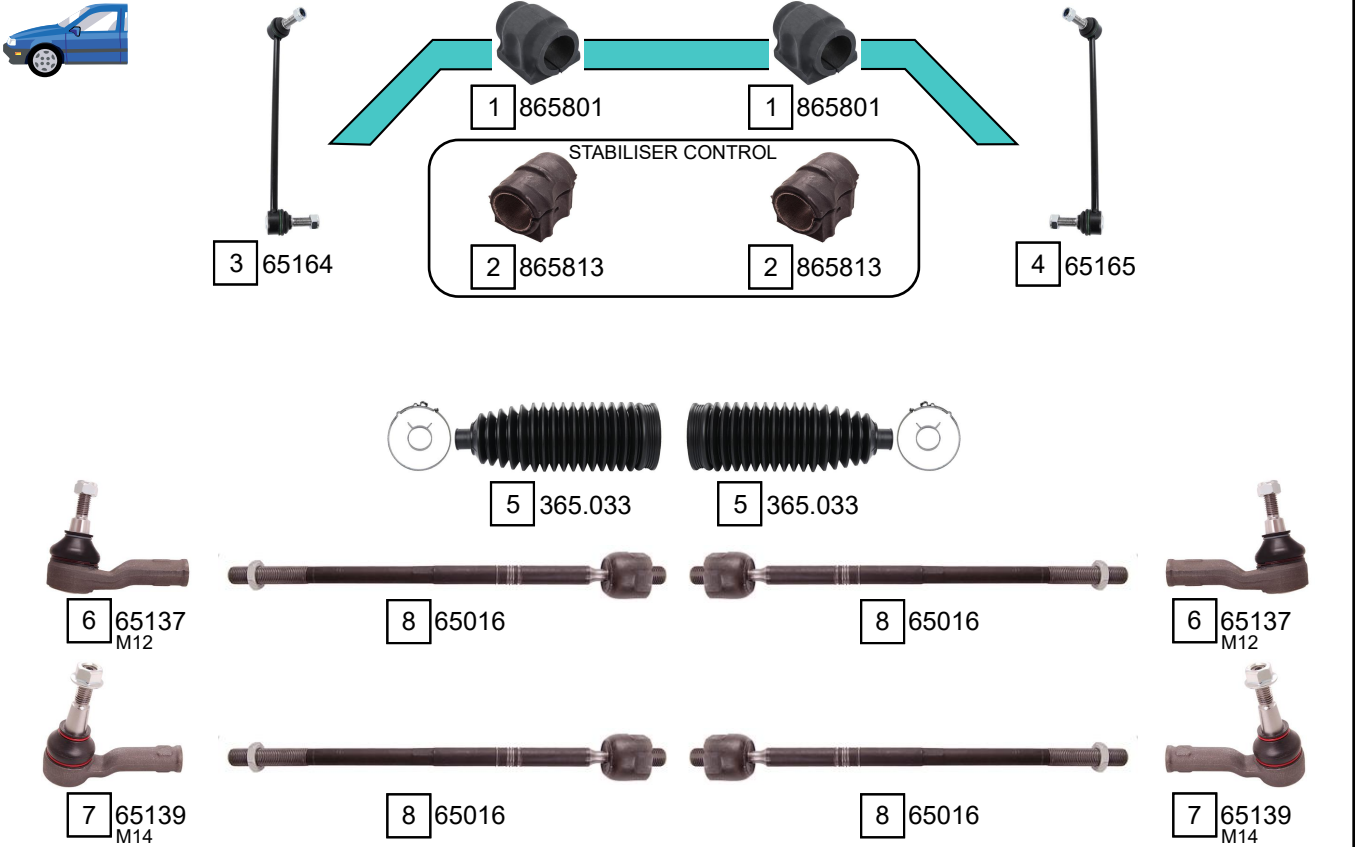
12/2018 ->



Ref.	Sidem Ref.	Description	OE-number	Measures	Ref.	Sidem Ref.	Description	OE-number	Measures
1	65674	track rod	LR0 73526	L:360	6	865308	mounting axle body	LR0 60486	di:22.9 do:85.5
2	65675	track rod	LR0 73525	L:360	7	865309	mounting axle body	LR0 61535	di:23 do:85
3	865718	silentblock for TCA	Part of	di:12.1 do:44 (*)	8	27164	stabiliser link left	LR1 14304	L:159
4	27278	track rod	LR1 28497	L:229	9	27165	stabiliser link right	LR1 14303	L:159
5	27279	track rod	LR1 28496	L:229					

RANGE ROVER SPORT (LS)

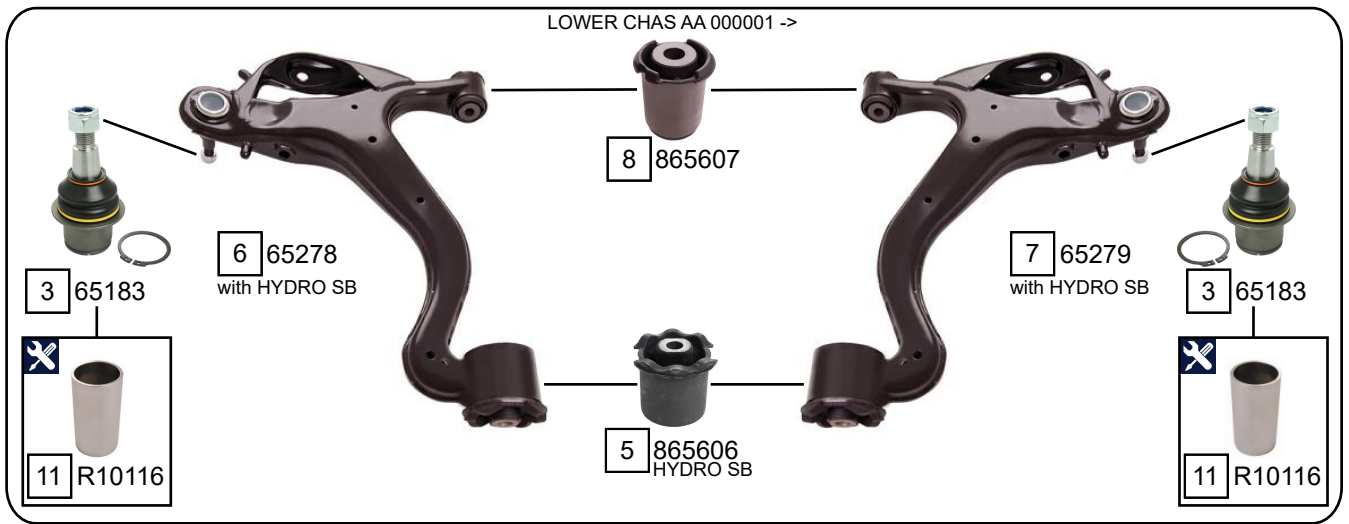
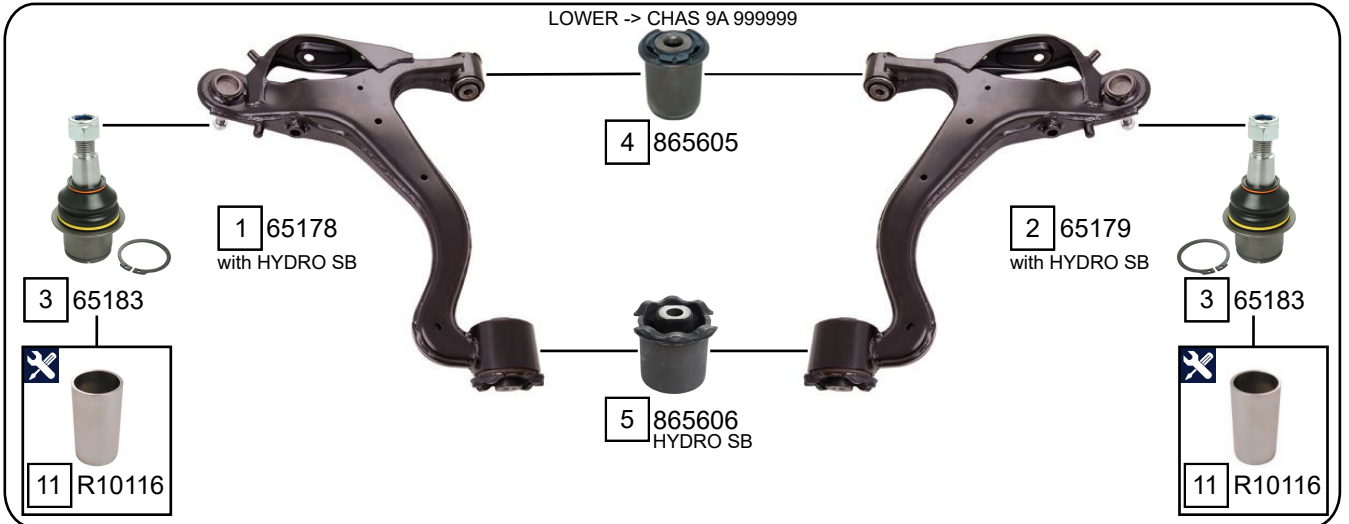
02/2005 - 03/2013



Ref.	Sidem Ref.	Description	OE-number	Measures	Ref.	Sidem Ref.	Description	OE-number	Measures
1	865801	stabiliser mounting	LR0 18347	di:30	8	65016	axial joint	QFK 500030	th:MM16x1.5R L:366
2	865813	stabiliser mounting	RVU 500011	di:34	9	65370	TCA left wbj	LR0 74838	c:13.8
3	65164	stabiliser link left	RBM 500150	L:345	10	65371	TCA right wbj	LR0 51617	c:13.8
4	65165	stabiliser link right	RBM 500140	L:345	11	865604	silentblock for TCA	RBX 500443	di:14.3 do:44.3 (*)
5	365.033	steering rack gaiter	QFW 500020	D:59 d:15.5 L:190	12	65180	ball joint	RBK 500170	c:13.6 do:42.3
6	65137	tie rod end	LR0 10675	c:16.8 th:FM16x1.5R	13	R10082	mounting tool ring ø52 ø44	SEE PAGE III	di:44 do:52
7	65139	tie rod end	LR0 10676	th:FM16X1.5R					

RANGE ROVER SPORT (LS)

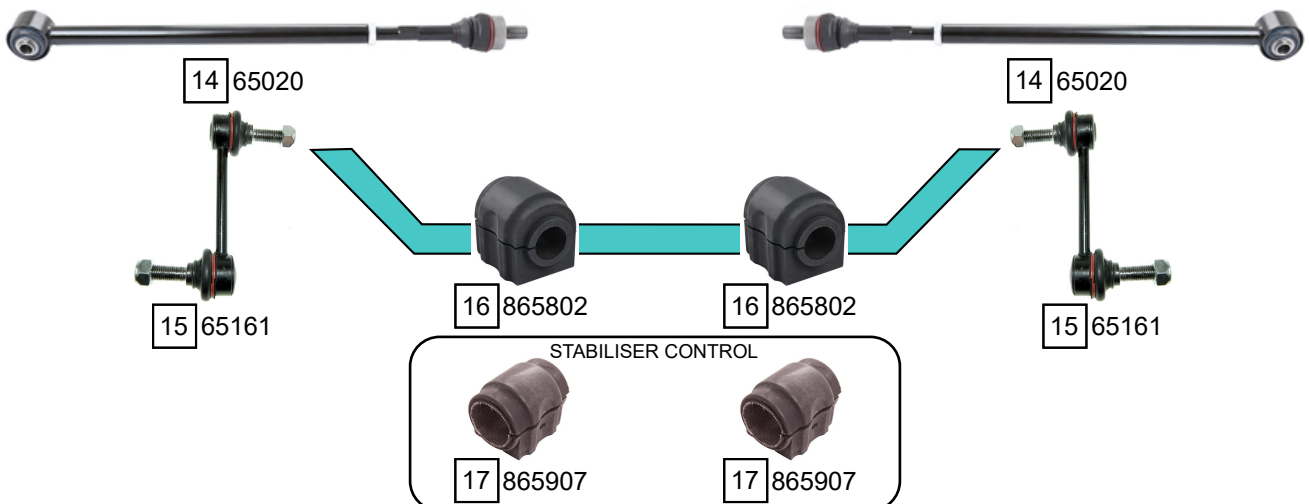
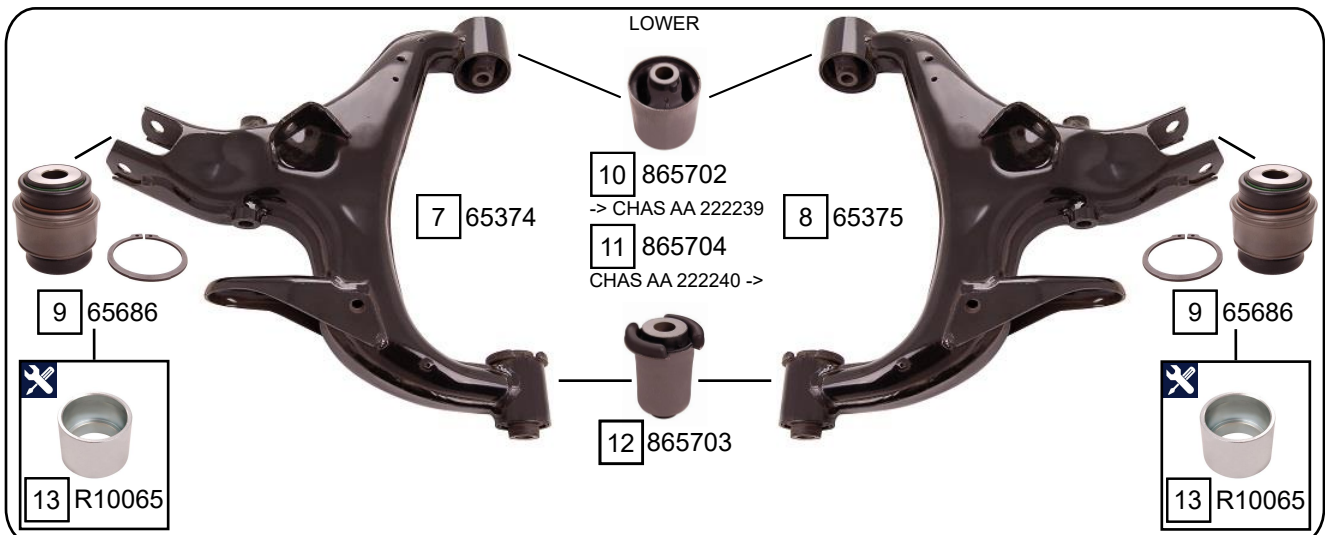
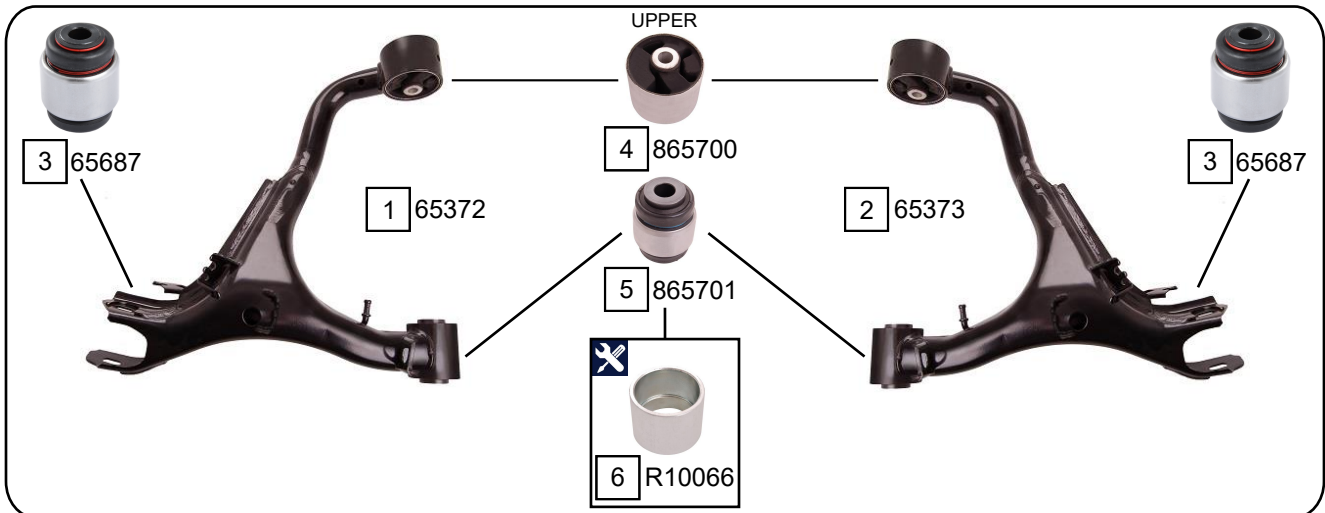
02/2005 - 03/2013



Ref.	Sidem Ref.	Description	OE-number	Measures	Ref.	Sidem Ref.	Description	OE-number	Measures
1	65178	TCA left wbj	LR0 29306	c:20.5	7	65279	TCA right wbj	LR0 29301	c:20.5
2	65179	TCA right wbj	LR0 29304	c:20.5	8	865607	silentblock for TCA	LR0 17011	di:16.2 do:53.2 (*)
3	65183	ball joint	RBK 500300	c:20.5 do:45.1	9	65276	TCA left wbj	LR0 29305	c:20.5
4	865605	silentblock for TCA	RBX 500432	di:16.2 do:53.2 (*)	10	65277	TCA right wbj	LR0 29303	c:20.5
5	865606	silentblock for TCA	LR0 55291	di:16.2 do:71 (*)	11	R10116	mounting tool ring long ø62	SEE PAGE III	di:54 do:62
6	65278	TCA left wbj	LR0 29302	c:20.5					

RANGE ROVER SPORT (LS)

02/2005 - 03/2013

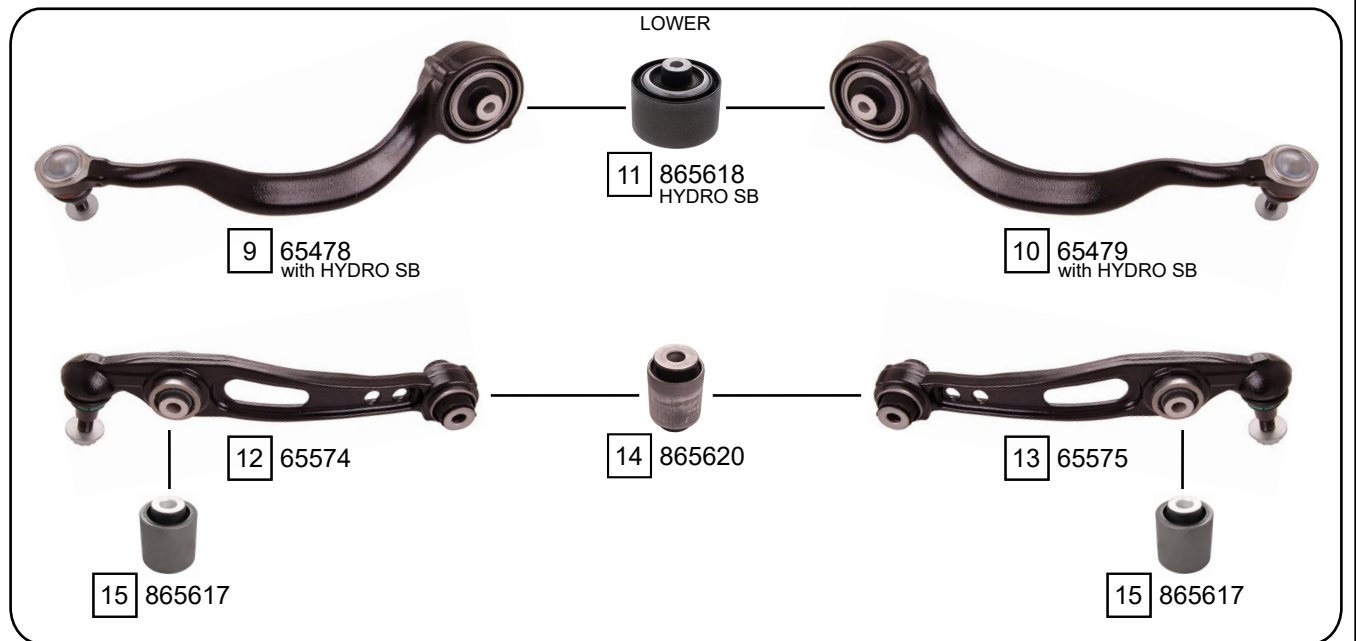
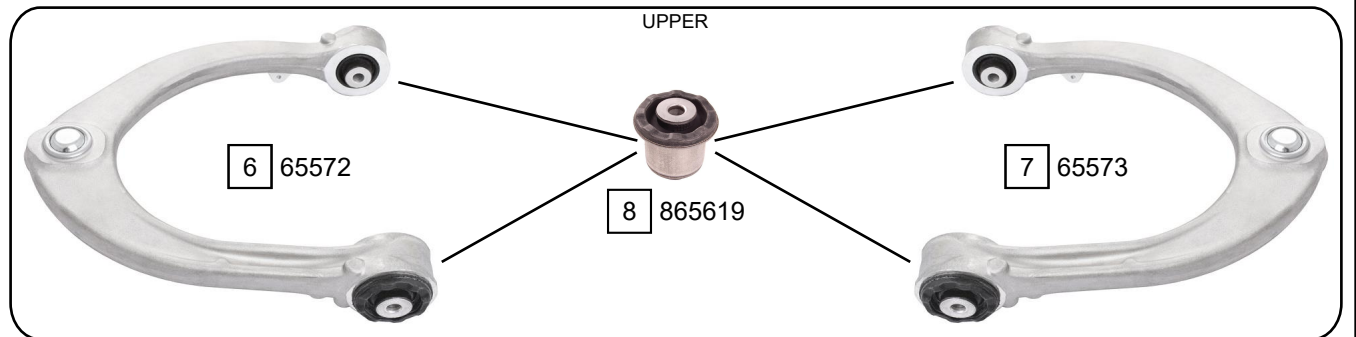
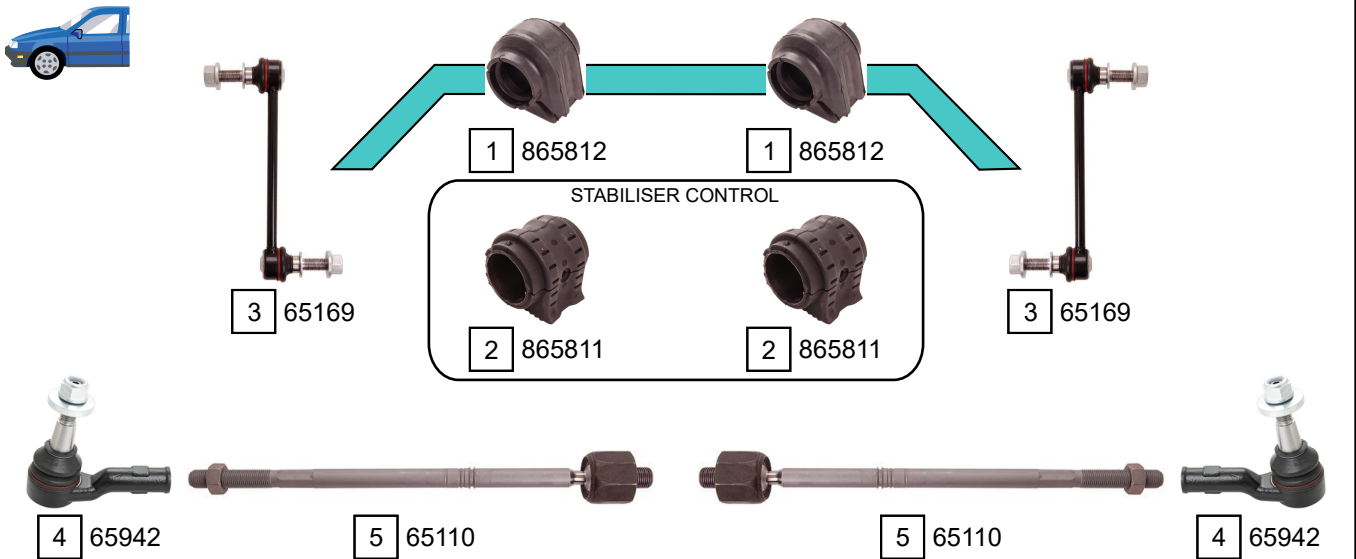


Ref.	Sidem Ref.	Description	OE-number	Measures	Ref.	Sidem Ref.	Description	OE-number	Measures
1	65372	TCA left wobj	LR0 10527		10	865702	silentblock for TCA	RGX 500211	di:16.2 do:70 (*)
2	65373	TCA right wobj	LR0 10526		11	865704	silentblock for TCA	LR0 51611	di:16.2 do:69.5 (*)
3	65687	ball joint rear	RHF 500031	di:13.1 do:47.2	12	865703	silentblock for TCA	LR0 54831	di:16.3 do:46.5 (*)
4	865700	silentblock for TCA	RGX 500201	di:14.1 do:76 (*)	13	R10065	mounting tool ring ø60 ø52	SEE PAGE III	di:52 do:60
5	865701	ball joint rear	RHF 500130	di:16.3 do:54.1	14	65020	tie rod	RGD 500083	L:600
6	R10066	mounting tool ring ø58 ø50	SEE PAGE III	di:50 do:58	15	65161	stabiliser link rear axle	RGD 000312	L:116
7	65374	TCA left wobj	LR0 19978		16	865802	stabiliser mounting	LR0 18354	di:23
8	65375	TCA right wobj	LR0 19977		17	865907	stabiliser mounting	RVU 000022	di:34
9	65686	ball joint rear	RBK 500220	di:16.2 do:54					



RANGE ROVER SPORT (LW)

04/2013 ->



Ref.	Sidem Ref.	Description	OE-number	Measures	Ref.	Sidem Ref.	Description	OE-number	Measures
1	865812	stabiliser mounting	LR0 43584	di:31.5	9	65478	TCA left wbj	LR1 13307	c:21.5
2	865811	stabiliser mounting	LR0 48451	di:39	10	65479	TCA right wbj	LR1 13306	c:21.5
3	65169	stabiliser link	LR0 35489	L:210	11	865618	silentblock for TCA	LR1 00072	di:14.3 (*)
4	65942	tie rod end	LR0 33534	c:16.5 th:FM14X1.5R	12	65574	TCA left wbj	LR0 78479	c:22.5 L:364
5	65110	axial joint	LR0 33529	th:MM16X1.5R L:330	13	65575	TCA right wbj	LR0 78477	c:22.5 L:364
6	65572	TCA left wbj	LR1 13268	c:19.3	14	865620	silentblock for TCA	Part of	di:14 do:46.8 (*)
7	65573	TCA right wbj	LR1 13262	c:19.2	15	865617	silentblock for TCA	Part of	di:14 do:49.8 (*)
8	865619	silentblock for TCA	Part of	di:10 do:41.8 (*)					

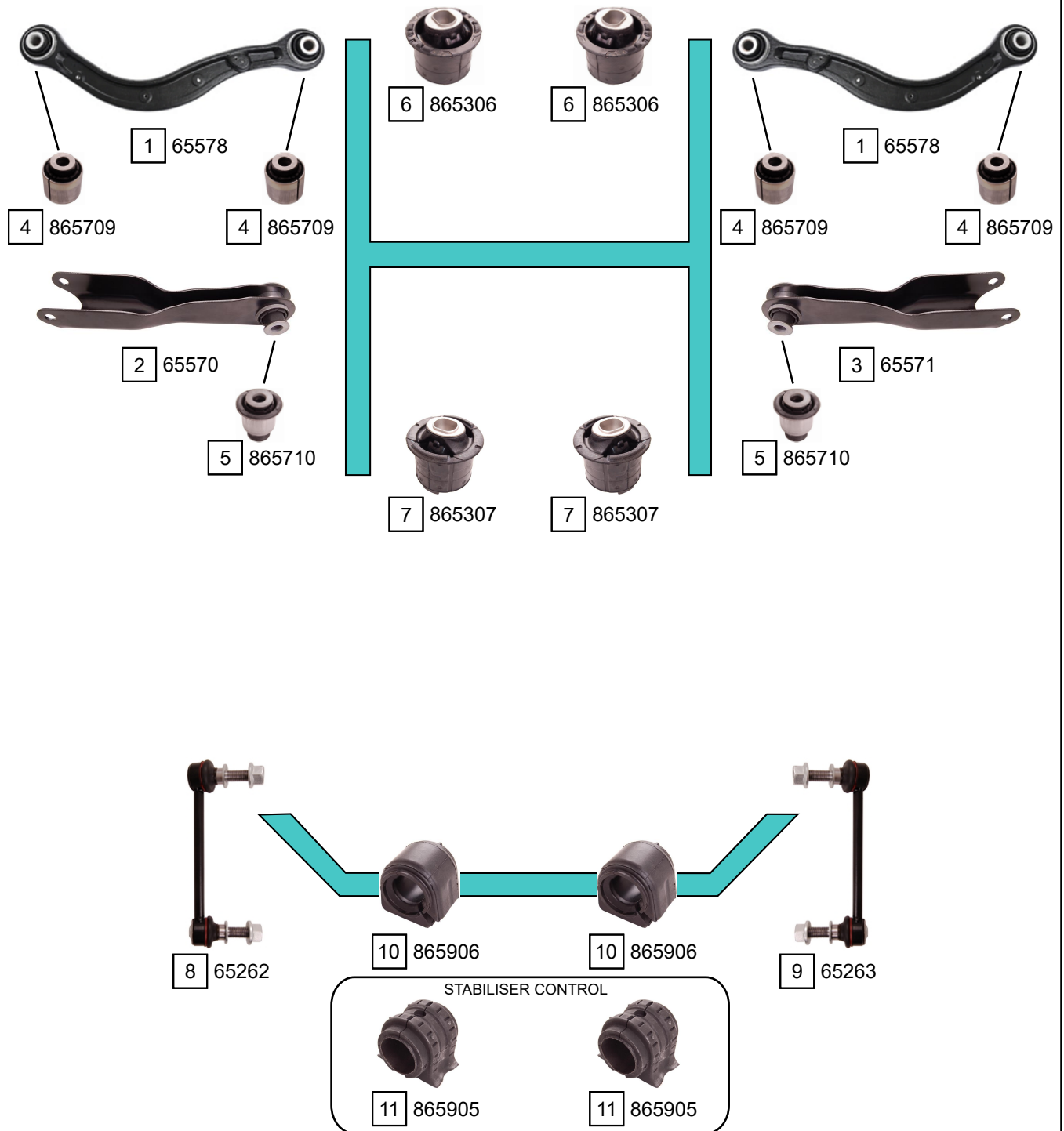


# LAND ROVER

## RANGE ROVER

RANGE ROVER SPORT (LW)

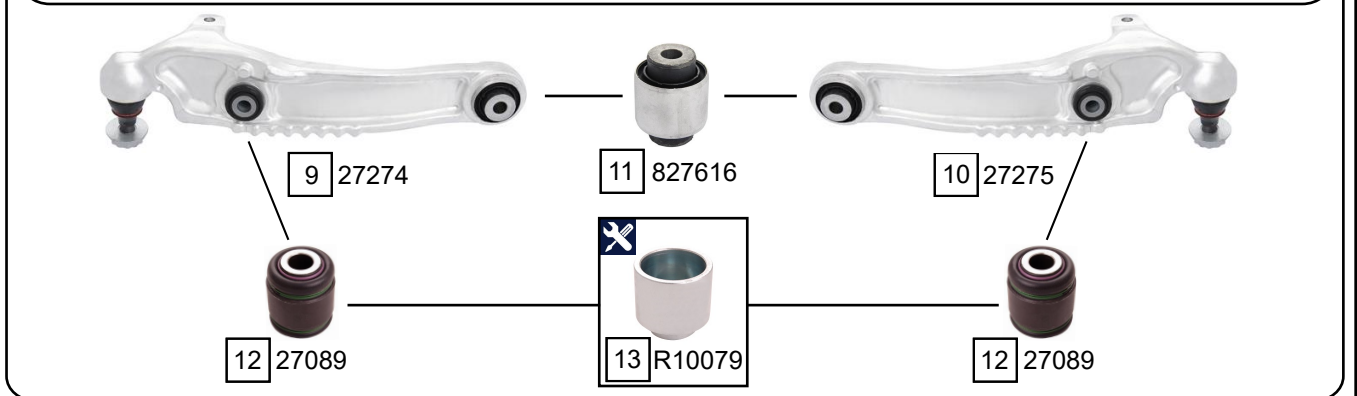
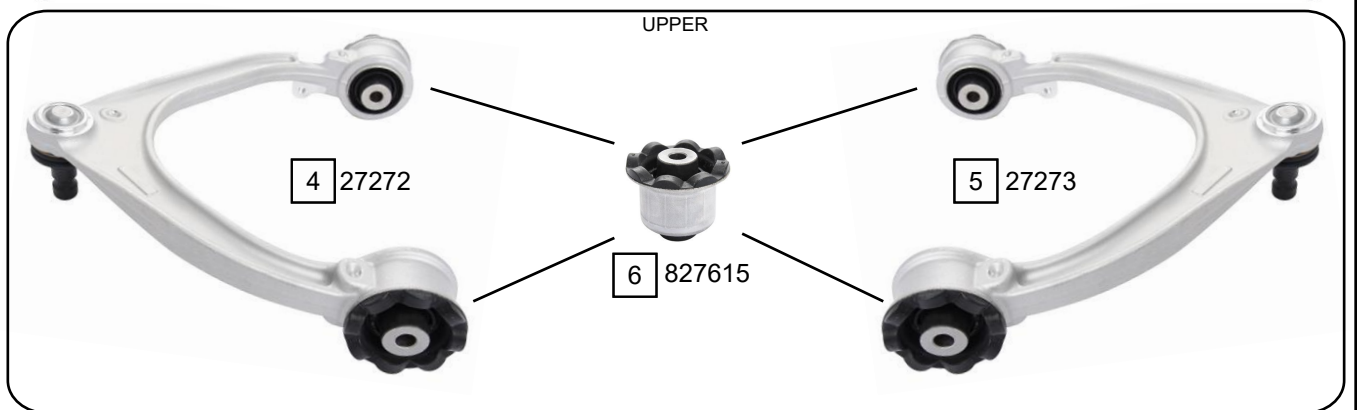
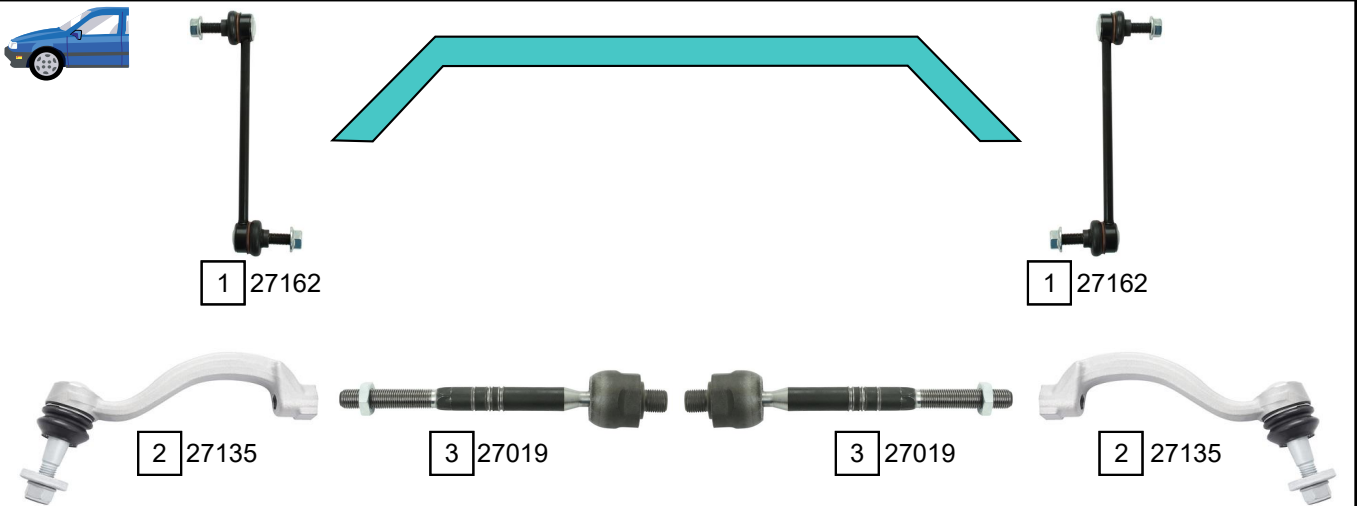
04/2013 ->



Ref.	Sidem Ref.	Description	OE-number	Measures	Ref.	Sidem Ref.	Description	OE-number	Measures
1	65578	track rod	LR0 37690	L:385	7	865307	mounting axle body	LR0 37514	di:19 do:95
2	65570	TCA left	LR0 37700	L:310	8	65262	stabiliser link left	LR0 42976	L:192
3	65571	TCA right	LR0 37702	L:310	9	65263	stabiliser link right	LR0 42975	L:192
4	865709	silentblock for TCA	Part of	di:14.3 do:47.5 (*)	10	865906	stabiliser mounting	LR0 33239	di:27
5	865710	silentblock for TCA	Part of	di:16.1 do:46.8 (*)	11	865905	stabiliser mounting	LR0 48462	di:39.9
6	865306	mounting axle body	LR0 58008	di:19 do:95					

RANGE ROVER VELAR (L560)

03/2017 ->



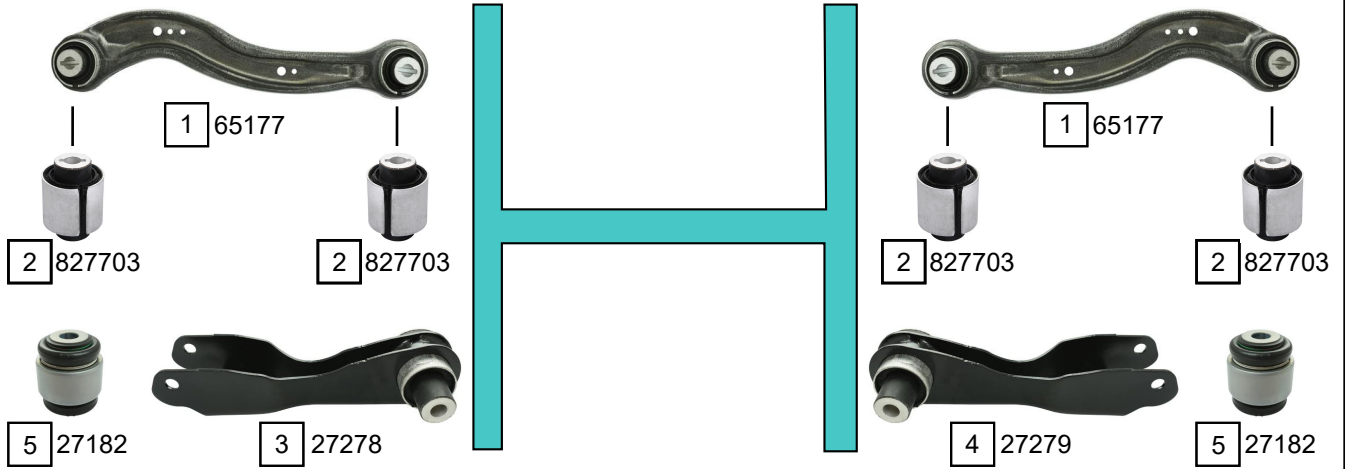
Ref.	Sidem Ref.	Description	OE-number	Measures	Ref.	Sidem Ref.	Description	OE-number	Measures
1	27162	stabiliser link	LR0 90522	L:220	8	827617	silentblock for TCA	Part of	di:14.1 do:80.1 (*)
2	27135	tie rod end	T4A 28746	c:15.3 th:FM14x1.5R	9	27274	TCA left wbj	LR0 90504	c:18
3	27019	axial joint	LR0 90900	th:MM16x1.5R L:210	10	27275	TCA right wbj	LR0 90505	c:18
4	27272	TCA left wbj	LR1 17883	c:17	11	827616	silentblock for TCA	Part of	di:14.2 do:51.2 (*)
5	27273	TCA right wbj	LR1 17884	c:17	12	27089	ball joint	Part of	di:14.2 do:42
6	827615	silentblock for TCA	Part of	di:10 do:46.3 (*)	13	R10079	mounting tool ring ø46 ø38		Ø 38 di:38 do:46
7	27276	TCA	LR0 90506	L:397					

# LAND ROVER

## RANGE ROVER

RANGE ROVER VELAR (L560)

03/2017 ->



Ref.	Sidem Ref.	Description	OE-number	Measures	Ref.	Sidem Ref.	Description	OE-number	Measures
1	65177	track rod	LR1 05961	L:325	4	27279	track rod	LR1 28496	L:229
2	827703	silentblock for TCA	Part of	di:12.4 do:44 (*)	5	27182	ball joint rear	Part of	di:12.2 do:45.2
3	27278	track rod	LR1 28497	L:229	6	27163	stabiliser link	LR0 90549	L:186